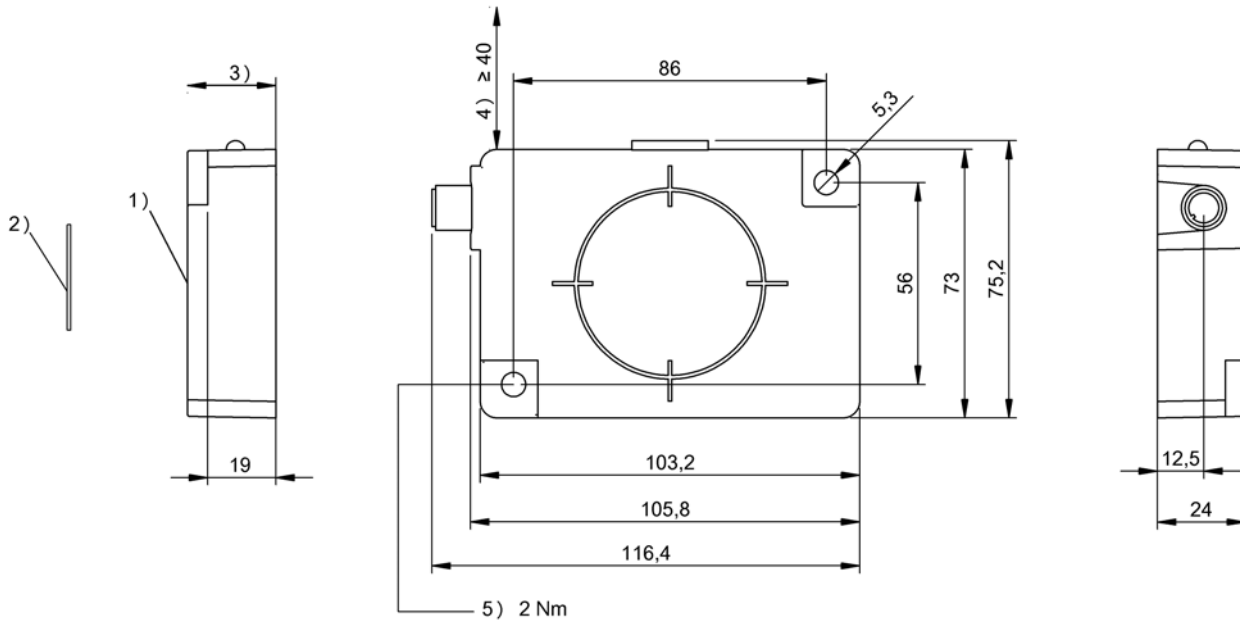


HF (13.56 MHz)

BIS M-411-068-001-02-S115

Ordercode: BIS00W7



1) Sensing surface 2) Data carrier 3) Clear zone 4) Clear zone surrounding 5) Tightening torque



Display/Operation

Function indicator	COM field, LED yellow RF field, LED red Power (ON), LED green
--------------------	---

Electrical connection

Connection	(RS422/supply voltage): M12x1-Male, 8-pole
------------	---

Electrical data

Current consumption max. at 24 V DC	400 mA
EN 300330-1	Power Class 5
Operating voltage U_b	10...30 VDC
Residual ripple max.	included

Environmental conditions

Ambient temperature	-20...50 °C
Continuous shock load	yes
EN 60068-2-27, Shock	yes
EN 60068-2-32 Free fall	yes
EN 60068-2-6, Vibration	yes

Protection degree	IP67
Storage temperature	-20...70 °C

Functional safety

MTTF (40 °C)	107.7 a
--------------	---------

General data

Antenna type	Round
Approval/Conformity	UL-FILE E227256, Vol.X1, BIS CE
EN 55011	Size 1, Cl. A

Material

Housing material	PC, with PU potting
------------------	---------------------

Mechanical data

Application weight	200.00 g
Dimension	75 x 24 x 105 mm
Installation	with clear zone (in steel)

HF (13.56 MHz)

BIS M-411-068-001-02-S115

Ordercode: BIS00W7

Output/Interface

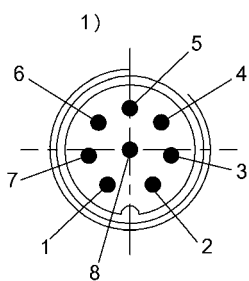
Interface

RS422

For more information about MTTF and B10d see MTTF / B10d Certificate

Indication of the MTTF- / B10d value does not represent a binding composition and/or life expectancy assurance; these are simply experiential values with no warranty implications. These declared values also do not extend the expiration period for defect claims or affect it in any way.

Connector view



X1

2)

1	VDC
2	GND
3	TX+
4	TX-
5	RX+
6	RX-
7	n.c
8	COM

- 1) View towards connector
2) Connector 8-pin/ Function

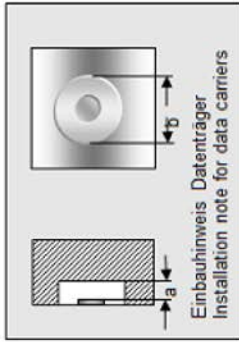
HF (13.56 MHz)

BIS M-411-068-001-02-S115

Ordercode: BIS00W7

BIS M-411-__

	BIS M-130-03/L	BIS M-130-07/L	BIS M-132-03/L	BIS M-132-03/L-HT
passende Datenträger Appropriate data carriers				
Abstand Datenträger zu Metall in mm (a) Data carrier distance to metal in mm	>10	>10	>25	>25
Freizone Datenträger in mm (b) Data carrier clear zone in mm	>60	>60	>100	>100
Schreibabstand in mm Write distance in mm	0-20	0-13	0-80	0-70
Lesebestand in mm Read distance in mm	0-20	0-13	0-80	0-70
Versatz in mm bei Abstand von	0 ±22	±22	±50	±42
	5 ±22	±20	±50	±42
	9 ±19	±20	±50	±42
	12 ±19	±12	±50	±42
	13 ±19	±5	±50	±42
	15 ±19		±50	±42
	20 ±14		±50	±42
	22		±40	±39
	26		±40	±39
	30		±40	±39
	35		±40	±39
	40		±40	±39
	45		±35	±36
	50		±35	±36
	60		±35	±36
	65		±30	±28
	70		±30	±28
	75		±30	
	80		±30	
	90			
	100			



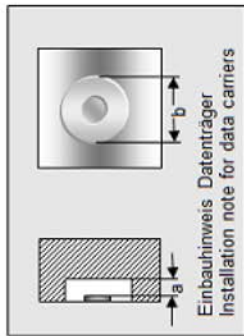
HF (13.56 MHz)

BIS M-411-068-001-02-S115

Ordercode: BIS00W7

BIS M-411-__

	BIS M-132-10/L	BIS M-132-10/L- HT	BIS M-133-02/A	BIS M-134-10/L	BIS M-134-10/L- HT
passende Datenträger Appropriate data carriers					
Abstand Datenträger zu Metall in mm (a) Data carrier distance to metal in mm	>25	>25	>25	>50	>50
Freizone Datenträger in mm (b) Data carrier clear zone in mm	>100	>100	>100	>150	>150
Schreibabstand in mm Write distance in mm	0-26	0-22	38-52	0-56	0-60
Lesabstand in mm Read distance in mm	0-26	0-22	38-52	0-56	0-60
Versatz in mm bei Abstand von	0 ±20	±20		±35	±32
	5 ±20	±20		±35	±32
	10 ±20	±20		±35	±32
	15 ±20	±20		±35	±32
	20 ±15	±15		±35	±32
	22 ±15	±10		±30	±30
	26 ±15			±30	±30
	30			±30	±30
	38		±25	±30	±30
	40		±25	±30	±30
	45		±25	±30	±25
	50		±25	±25	±25
	52		±25	±25	±20
	56			±25	±20
	60				±20
	70				±20
	80				
	90				
	100				
	110				
	120				



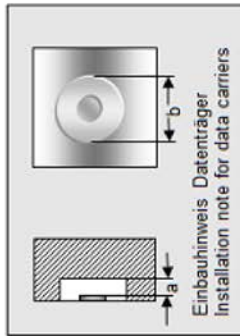
HF (13.56 MHz)

BIS M-411-068-001-02-S115

Ordercode: BIS00W7

BIS M-411-__

	BIS M-135-02/L	BIS M-135-03/L	BIS M-135-03/L- HT	BIS M-135-07/L	BIS M-135-07/L- HT
passende Datenträger Appropriate data carriers					
Abstand Datenträger zu Metall in mm (a) Data carrier distance to metal in mm	>50	>50	>50	>50	>50
Freizone Datenträger in mm (b) Data carrier clear zone in mm	>150	>150	>150	>150	>150
Schreibabstand in mm Write distance in mm	0-100	0-110	0-125	11-95	11-75
Leseabstand in mm Read distance in mm	0-100	0-110	0-125	11-95	11-75
Versatz in mm bei Abstand von	0 ±50 5 ±50 11 ±50 15 ±50 20 ±50 25 ±50 30 ±50 35 ±50 40 ±50 45 ±50 50 ±50 55 ±50 60 ±50 75 ±45 85 ±45 95 ±45 100 ±45	±62 ±62 ±62 ±62 ±62 ±62 ±62 ±58 ±58 ±58 ±58 ±58 ±58 ±52 ±52 ±52 ±48	±65 ±65 ±65 ±65 ±65 ±65 ±65 ±65 ±65 ±65 ±62 ±62 ±62 ±62 ±58 ±58 ±58 ±58	±52 ±52 ±52 ±52 ±52 ±52 ±48 ±48 ±48 ±48 ±48 ±48 ±44 ±44 ±40	±50 ±50 ±50 ±50 ±50 ±50 ±42 ±42 ±42 ±42 ±35 ±35
Offset in mm at distance					
	110				
	120				
	125				
	130				



HF (13.56 MHz)

BIS M-411-068-001-02-S115

Ordercode: BIS00W7

BIS M-411-__

passende Datenträger Appropriate data carriers	BIS M-110-02/L	BIS M-111-02/L			
Abstand Datenträger zu Metall in mm (a) Data carrier distance to metal in mm	>25	>25			
Freizone Datenträger in mm (b) Data carrier clear zone in mm	>100	>100			
Schreibabstand in mm Write distance in mm	0-45	0-67			
Leseabstand in mm Read distance in mm	0-45	0-67			
Versatz in mm bei Abstand von	0 ±30	±40			
	5 ±30	±40			
	10 ±30	±40			
	15 ±28	±40			
	20 ±28	±40			
	25 ±28	±38			
	30 ±28	±38			
	35 ±25	±38			
	40 ±25	±38			
	45 ±10	±35			
	50	±35			
	55	±35			
	60	±35			
	67	±10			
	70				
	75				
	80				
	85				
	90				
	95				
	100				

