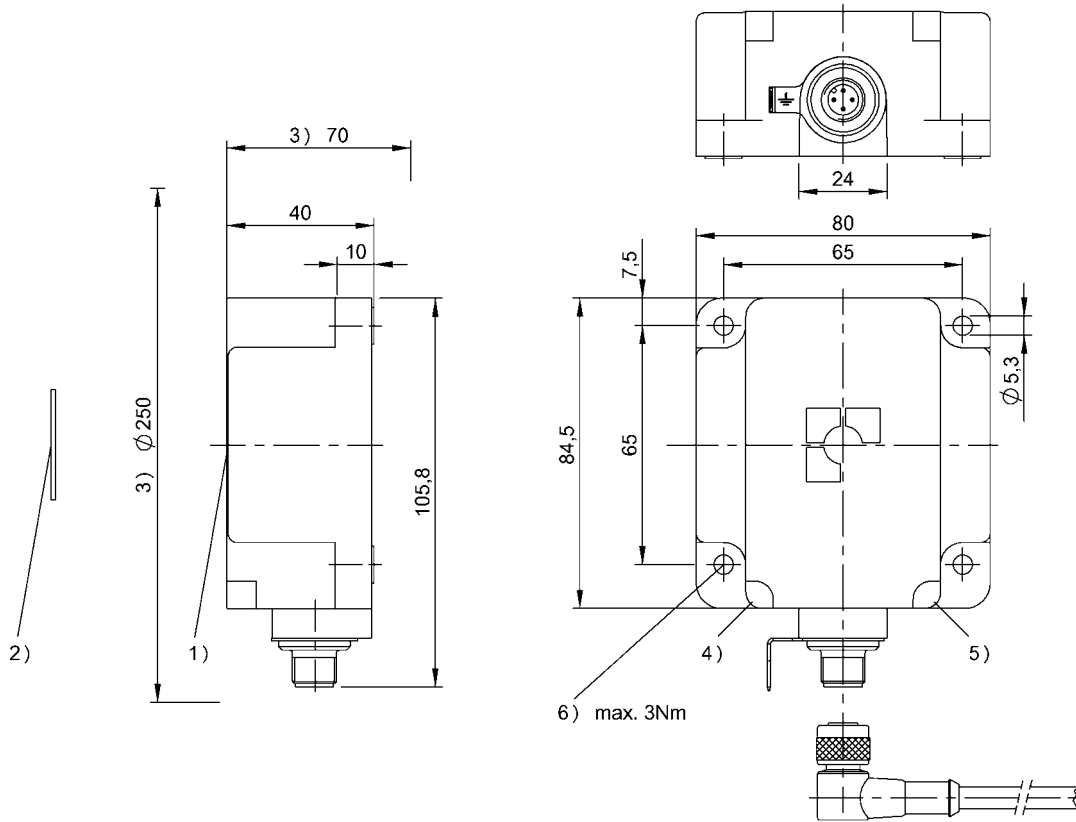


HF (13.56 MHz)
 BIS M-401-072-001-07-S4
 Ordercode: BIS0102



1) Sensing surface 2) Data carrier 3) Clear zone 4) LED (Power) 5) LED (TP) 6) Tightening torque



Display/Operation

Function indicator	LED yellow TP (Tag Present) Green LED Power (ON)
--------------------	---

Electrical connection

Connection	M12x1-Male, 4-pole, A-coded
------------	-----------------------------

Electrical data

Current consumption max. at 24 V DC	150 mA
EN 300330-1	Power Class 5
Operating voltage Ub	18...30 VDC Supports only LPS/Class 2
Residual ripple max.	1.3 Vpp

Environmental conditions

Ambient temperature	0...70 °C
Continuous shock load	yes
EN 60068-2-27, Shock	yes
EN 60068-2-32 Free fall	yes

EN 60068-2-6, Vibration	yes
Protection degree	IP67
Storage temperature	-20...85 °C

General data

Antenna type	Round
Approval/Conformity	CE UL-FILE E227256, Vol.X1, BIS EN 55022
	Size 1, Cl. A

Material

Housing material	PBT
------------------	-----

Mechanical data

Application weight	380.00 g
Dimension	80 x 40 x 84.5 mm
Installation	with clear zone (in steel)

Output/Interface

Interface	IO-Link
-----------	---------

HF (13.56 MHz)

BIS M-401-072-001-07-S4

Ordercode: BIS0102

Remarks

For basic equipment see IO-Link catalog.

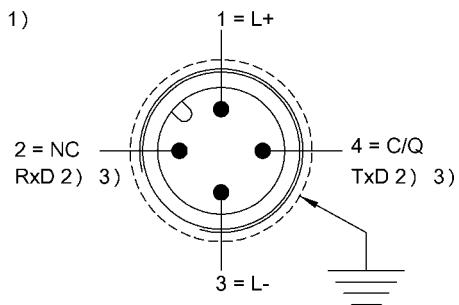
When installing, the technical standards and regulations of the corresponding countries must be observed.

Values are under rated conditions unless otherwise specified.

Order accessories separately.

For installation in metal: Observe clear zone.

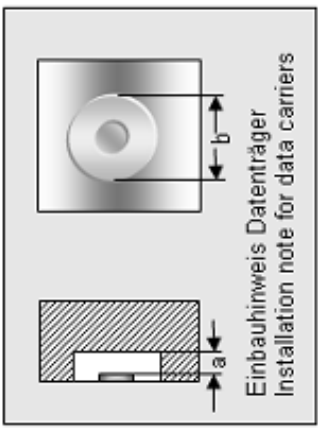
Connector view



- 1) View towards connector
- 2) Service
- 3) (Only for Balluff Service)

BIS M-401-

	BIS M-101-01/L	BIS M-102-01/L	BIS M-120-01/L	BIS M-108-02/L	BIS M-110-02/L
passende Datenträger Appropriate data carriers					
Abstand Datenträger zu Metall in mm (a) Data carrier distance to metal in mm	>50 >25 >10	>50 >25 >10	>80	>50 >20	>50 >30
Freizone Datenträger in mm (b) Data carrier clear zone in mm	>200 >150 >150	>200 >150 >150	>250	>200 >60	>200 >100
Schreibabstand in mm Write distance in mm	0-28 0-25 0-20	0-45 0-40 0-34	0-50	0-40 0-18	0-30 0-18
Lesabstand in mm Read distance in mm	0-28 0-25 0-20	0-45 0-40 0-34	0-50	0-40 0-18	0-30 0-18
Versatz in mm bei Abstand von	0 ±22 ±18 ±12 5 ±22 ±18 ±12 9 ±22 ±18 ±10 12 ±22 ±16 ±8 15 ±22 ±16 ±8 16 ±20 ±15 ±6 18 ±20 ±13 ±4 20 ±20 ±12 ±2 22 ±16 ±8 25 ±12 ±4	±30 ±24 ±16 ±30 ±24 ±16 ±30 ±24 ±16 ±30 ±24 ±14 ±30 ±24 ±14 ±30 ±20 ±12 ±30 ±20 ±10 ±30 ±20 ±10 ±24 ±18 ±8 ±24 ±18 ±8 ±24 ±15 ±6 ±20 ±12 ±4 ±15 ±5 ±8 ±5	±30 ±30 ±30 ±30 ±30 ±30 ±30 ±30 ±30 ±30 ±30 ±28 ±24 ±22 ±18 ±14 ±12 ±4	±30 ±16 ±30 ±16 ±30 ±16 ±25 ±16 ±25 ±16 ±25 ±16 ±25 ±14 ±25 ±20 ±20 ±15 ±15 ±10 ±10	±25 ±18 ±25 ±18 ±25 ±15 ±20 ±15 ±20 ±12 ±20 ±12 ±20 ±8 ±20 ±15 ±15 ±10 ±10
Offset in mm at distance					
	0				
	5				
	9				
	12				
	15				
	16				
	18				
	20				
	22				
	25				
	30				
	32				
	35				
	40				
	43				
	45				
	50				
	52				
	60				
	65				
	70				



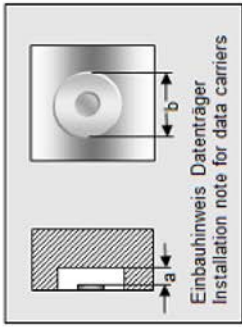
HF (13.56 MHz)

BIS M-401-072-001-07-S4

Ordercode: BIS0102

BIS M-401-

	BIS M-111-02/L	BIS M112-02/L	BIS M-140-02/A	BIS M-143-02/A- xx
passende Datenträger Appropriate data carriers				
Abstand Datenträger zu Metall in mm (a) Data carrier distance to metal in mm	>50 >30	>50 >30	>0	>0
Freizone Datenträger in mm (b) Data carrier clear zone in mm	>200 >100	>200 >100	>100	>100
Schreibabstand in mm Write distance in mm	0-40 0-25	0-60 0-35	0-32	0-16
Lesebestand in mm Read distance in mm	0-40 0-25	0-60 0-35	0-32	0-16
Versatz in mm bei Abstand von	0 ±30 ±20	0-60 ±35 ±25	±25	±24
	5 ±30 ±20	±35 ±25	±25	±24
	9 ±30 ±20	±35 ±25	±25	±20
	12 ±25 ±20	±35 ±25	±25	±14
	15 ±25 ±18	±35 ±25	±25	±4
	16 ±25 ±18	±35 ±25	±25	±4
	18 ±25 ±16	±35 ±25	±25	
	20 ±25 ±14	±35 ±25	±25	
	22 ±20 ±12	±35 ±22	±20	
	25 ±20 ±10	±35 ±22	±20	
	30 ±20	±35 ±22	±15	
	32 ±15	±35 ±22	±15	
	35 ±15	±35 ±20		
	40 ±15	±35		
	43	±25		
	45	±25		
	50	±25		
	52	±25		
	60	±25		
	65	±25		
	70			



HF (13.56 MHz)

BIS M-401-072-001-07-S4

Ordercode: BIS0102

BIS M-401-__

passende Datenträger Appropriate data carriers	BIS M-132-03/L- HT	BIS M135-03/L- HT			
Abstand Datenträger zu Metall in mm (a) Data carrier distance to metal in mm	>50	>50			
Freizone Datenträger in mm (b) Data carrier clear zone in mm	>200	>200			
Schreibabstand in mm Write distance in mm	0-50	0-75			
Leseabstand in mm Read distance in mm	0-50	0-75			
Versatz in mm bei Abstand von Offset in mm at distance	0 ±30 5 ±30 10 ±30 15 ±30 20 ±30 25 ±28 30 ±28 35 ±28 40 ±28 45 ±10 50 ±10 55 60 65 70 75 80 85 90 95 100	±50 ±50 ±50 ±50 ±50 ±50 ±50 ±50 ±50 ±50 ±45 ±45 ±45 ±35 ±35 ±35			

