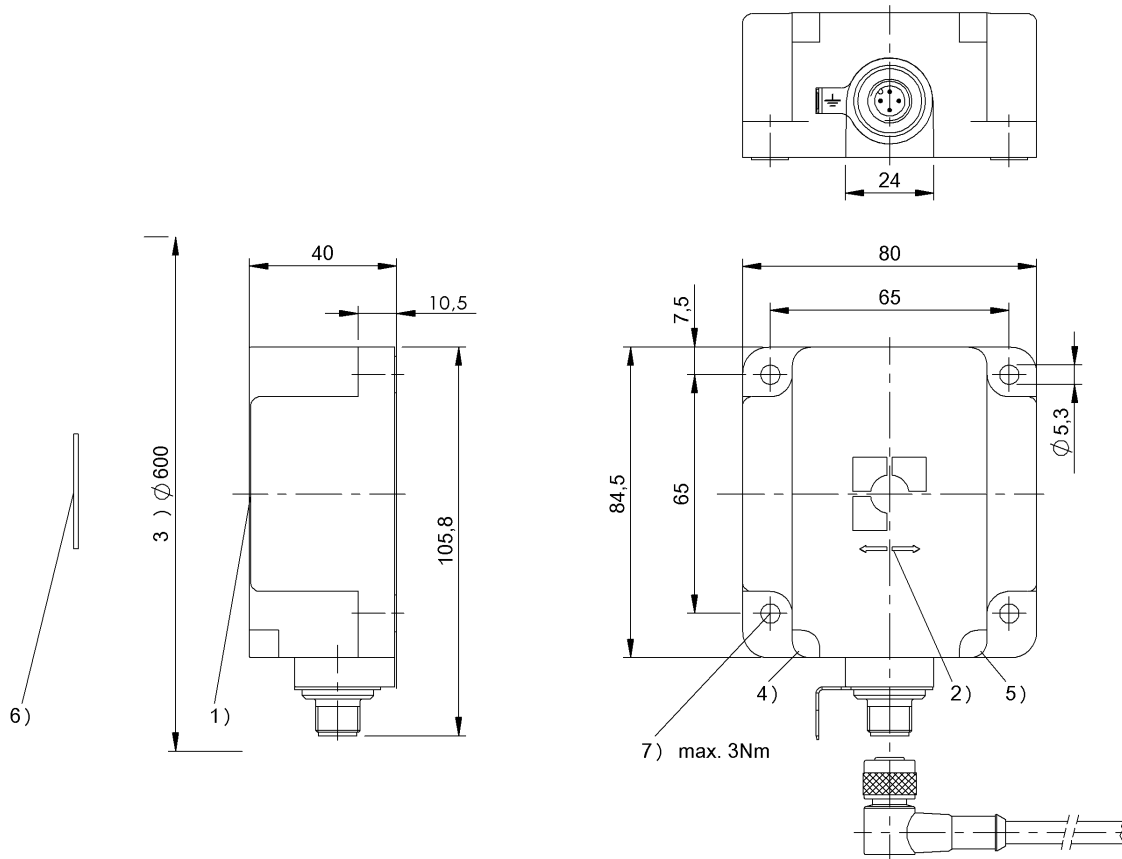


HF (13.56 MHz)

BIS M-451-072-001-07-S4

Ordercode: BIS0103



1) Sensing surface 2) Read/write axis 3) Clear zone 4) LED (Power) 5) LED (TP) 6) Data carrier on steel 7) Tightening torque



Display/Operation

Function indicator

LED yellow
TP (Tag Present)
Green LED
Power (ON)

Electrical connection

Connection

M12x1-Male, 4-pole, A-coded

Electrical data

Current consumption max. at 24 V DC

150 mA

EN 300330-1

Power Class 5

Operating voltage U_b

18...30 VDC Supports only
LPS/Class 2

Residual ripple max.

1.3 Vpp

Environmental conditions

Ambient temperature

0...70 °C

Continuous shock load

yes

EN 60068-2-27, Shock

yes

EN 60068-2-32 Free fall

yes

EN 60068-2-6, Vibration

yes

Protection degree

IP67

Storage temperature

-20...85 °C

General data

Antenna type

Rod

Approval/Conformity

CE
UL-FILE E227256, Vol.X1, BIS

EN 55022

Size 1, Cl. A

Material

Housing material

PBT

Mechanical data

Application weight

380.00 g

Dimension

80 x 40 x 84.5 mm

Installation

with clear zone (in steel)

Output/Interface

Interface

IO-Link

HF (13.56 MHz)

BIS M-451-072-001-07-S4

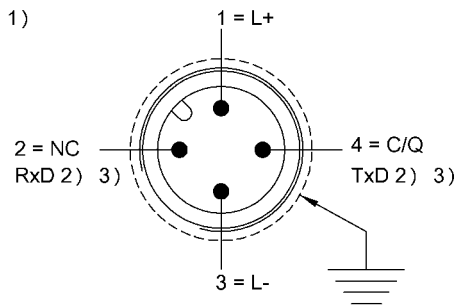
Ordercode: BIS0103

Remarks

For basic equipment see IO-Link catalog.
When installing, the technical standards and regulations of the corresponding countries must be observed.

Values are under rated conditions unless otherwise specified.
Order accessories separately.
For installation in metal: Observe clear zone.
Only for data carriers acc. to ISO 15693.

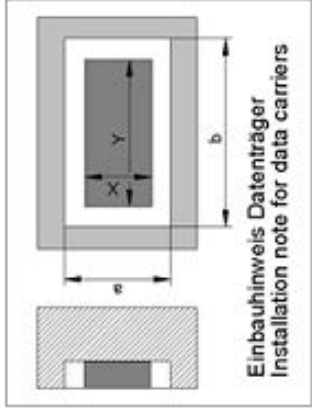
Connector view



- 1) View towards connector
- 2) Service
- 3) (Only for Balluff Service)

BIS M-451-

	BIS M-150-02/A	BIS M-151-02/A	BIS M-150-02/A	BIS M-151-02/A	
passende Datenträger Appropriate data carriers					
Freizone Datenträger in mm (a) Data carrier clear zone in mm	>200	>200	>200	>200	
Freizone Datenträger in mm (b) Data carrier clear zone in mm	>200	>200	>200	>200	
Datenträger Metall-Montagefläche 40x22 Data carrier metal mounting surface 40x22	0-52	0-52	0-65	0-65	
Datenträger Metall-Montagefläche ≥ 200x200 Data carrier metal mounting surface ≥ 200x200					
Schreibabstand in mm Write distance in mm	0-52	0-52	0-65	0-65	
Leseabstand in mm Read distance in mm	0-52	0-52	0-65	0-65	
Versatz in mm bei Abstand von	X	Y	X	Y	
	0 ±60	±25	±60	±25	
	5 ±60	±25	±65	±26	
	12 ±60	±25	±65	±25	
	15 ±60	±25	±65	±25	
	18 ±60	±25	±65	±25	
	20 ±60	±25	±65	±25	
	22 ±60	±25	±65	±25	
	25 ±60	±25	±65	±25	
	30 ±60	±25	±65	±25	
	32 ±50	±25	±65	±25	
	35 ±50	±25	±65	±25	
	40 ±50	±20	±50	±25	
	45 ±25	±20	±50	±25	
	50 ±25	±20	±50	±25	
	52 ±25	±8	±25	±25	
	60		±25	±10	
	65		±25	±10	



BIS M-451-__

	BIS M-152-03/A	BIS M-152-03/A	BIS M-153-02/A		
passende Datenträger Appropriate data carriers					
Freizone Datenträger in mm (a) Data carrier clear zone in mm	>200 >200	>10 >10	>240 >240		
Freizone Datenträger in mm (b) Data carrier clear zone in mm	>200 >200	>50 >50	>480 >480		
Freizone Datenträger in mm (c) Data carrier clear zone in mm	>50 >50	>2 >2	>50 >50		
Schreibabstand in mm Write distance in mm	0-30 0-30	15-30 15-30	0-100 0-100		
Lesabstand in mm Read distance in mm	0-30 0-30	15-30 15-30	0-100 0-100		
Versatz in mm bei Abstand von	X Y	X Y	X Y		
0	±35 ±20		±60 ±20		
5	±35 ±20		±60 ±20		
10	±35 ±20		±60 ±20		
15	±35 ±20	±35 ±15	±60 ±20		
20	±35 ±20	±35 ±15	±60 ±20		
25	±20 ±12	±28 ±15	±60 ±20		
30	±20 ±12	±28 ±15	±60 ±20		
35			±60 ±20		
40			±60 ±20		
45			±60 ±20		
50			±60 ±20		
60			±60 ±20		
70			±60 ±20		
80			±60 ±20		
90			±40 ±20		
100			±40 ±20		

Offset in mm
at distance

