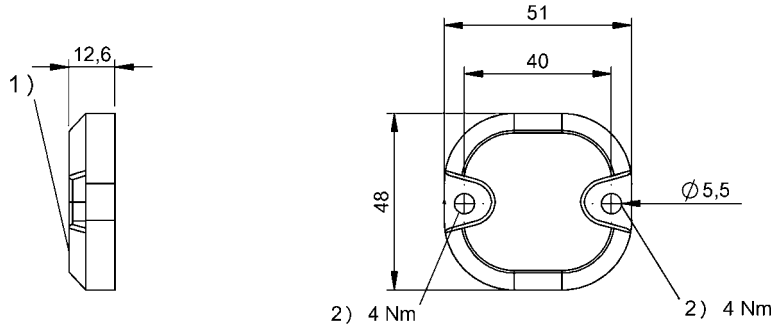


UHF (860...960 MHz)
 BIS U-109-M2/CAM
 Ordercode: BIS0173



1) Sensing surface 2) Tightening torque



Electrical data

Data retention time/years	≥ 50
Polarization	linear
Preferred application	860...930 MHz
Programming cycles	up to 55 °C: 100,000
Read cycles	Unlimited
Working frequency	860...930 MHz

Environmental conditions

Ambient temperature	-40...85 °C
EN 60068-2-27, Shock	MIL STD 810-F
Protection degree	IP68
Storage temperature	-40...85 °C

Functional Characteristics

EPC memory, writeable	128 Bit
TID memory, read only	96 Bit
User memory type	EEPROM

User memory, writeable

512 Bit

General data

Approval/Conformity	CE RoHS
Standards	EPCglobal™ Class 1, Gen 2 ISO 18000-6C

Material

Housing material	ABS
------------------	-----

Mechanical data

Application weight	25.60 g
Dimension	48 x 12.6 x 51 mm

Remarks

Values are under rated conditions unless otherwise specified.
 For application on metal