

# IPC-7132

## Cost-effective Wallmount Chassis for ATX/uATX Motherboard



### Features

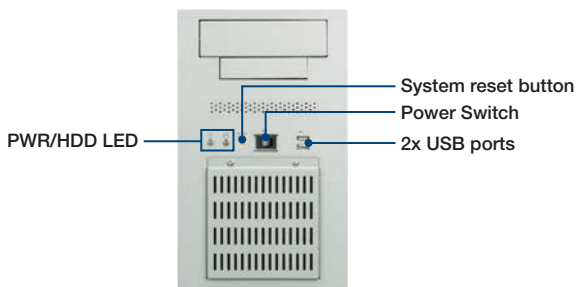
- Supports ATX/uATX motherboard
- Shockproof drive bay for one 5.25" ODD and three 3.5" HDDs
- Thumb-screw for top cover easy opening
- Bidirectional option to mount chassis on wall or workbench
- Two front access USB ports

CE FCC

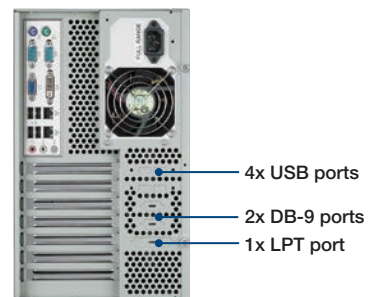
### Specifications

		External	Internal
Disk Drive Bay	3.5"	1	2
	5.25"	1	-
Cooling	Fan	1 (12 cm/85 CFM)	
	Air Filters	Yes	
Front I/O interface	USB 2.0	2	
	LED Indicators	Power, HDD	
Miscellaneous	Control	Power Switch, System Reset Button	
	Rear panel	4x USB, 2x DB-9, 1x LPT port	
Environment	Temperature	Operating 0 ~ 40 °C (32 ~ 104 °F)	Non-operating -20 ~ 60 °C (-4 ~ 140 °F)
	Humidity	10 ~ 85 % @ 40 °C, non-condensing	10 ~ 95 % @ 40 °C, non-condensing
	Vibration (5-500 Hz)	1 Grms	2 G
	Shock	10 G (with 11 ms duration, half sine wave)	
	Physical Characteristics	Dimensions (W x H x D) Weight	200 x 330 x 430 mm (7.9" x 13" x 16.9") 9.96 kg (21.93 lb)

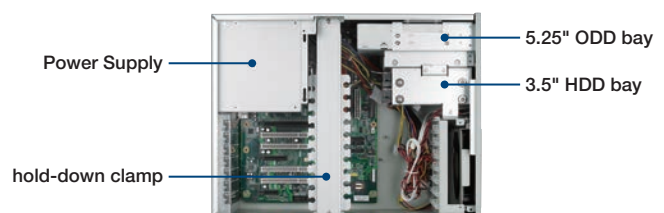
### Front View



### Rear View



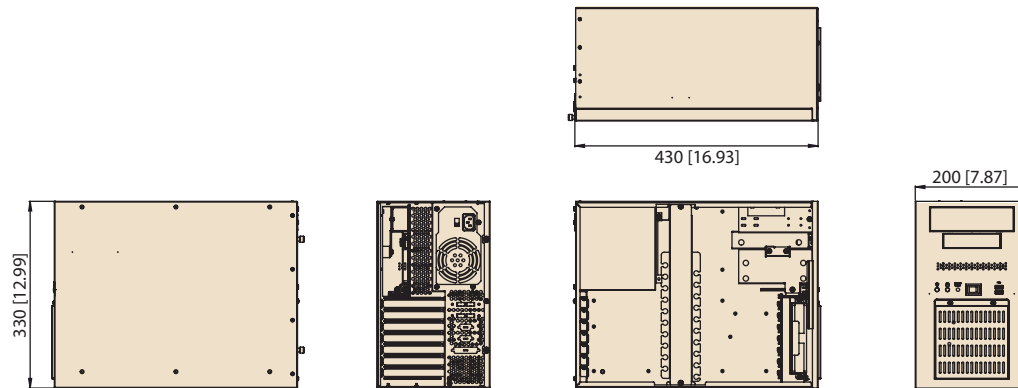
### Inside View



Easy-to-maintain cooling fan

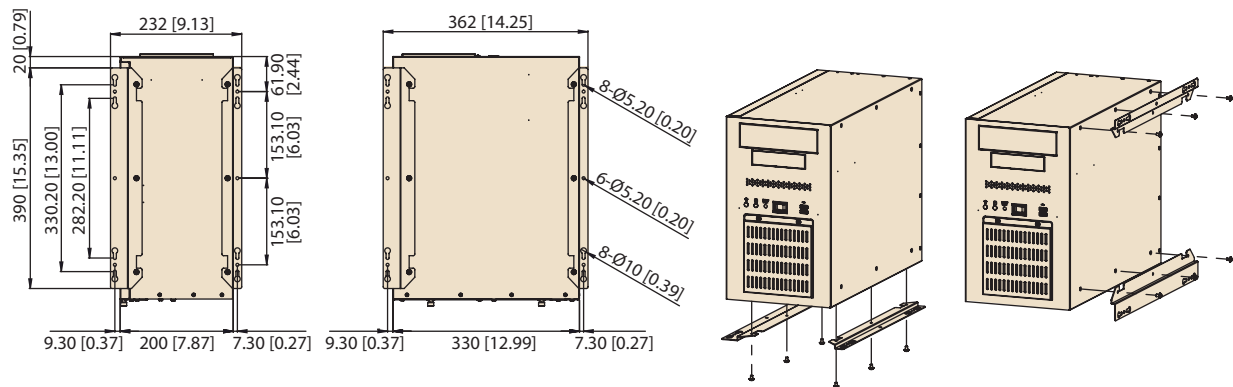
## Dimensions

Unit: mm [inch]



## Installation

Unit: mm [inch]



## Ordering Information

Model Name	Power Supply	Wattage	Switch Type
IPC-7132MB-25ZE	PS8-250ATX-ZE	250W	ATX
IPC-7132MB-30ZE	PS8-300ATX-ZBE	300W	ATX
IPC-7132MB-40ZE	PS8-400ATX-ZE	400W	ATX

## Optional Accessories

Part Number	Description
IPC-DT-3120E	Mobile HDD tray for dual 2.5" SATA HDDs
1750006427	87.87 CFM, system fan 120 x 120 x 25.0 mm