

# AFL2-10A-N28

Intel® Atom™ N2800 Dual Core Processor



## Features

- Flat-bezel LCD with LED backlight
- Intel® Atom™ N2800 dual core 1.86 GHz processor
- One 1066 MHz 204-pin DDR3 SO-DIMM slot (system max. 4GB) pre-installed with 2GB
- 5-wire resistive type touch screen supported
- Wi-Fi 802.11b/g/n high speed wireless
- EM or Mifare RFID reader
- Built-in 2M pixels webcam with AF, AE and AWB capabilities
- Built-in two 1.5W speakers and microphone
- IP 64 compliant front panel



## Specifications

Model	AFL2-10A-N28	
LCD Specifications	Size	10.4"
	Resolution	800 (W) x 600 (H)
	Brightness (cd/m <sup>2</sup> )	400 cd/m <sup>2</sup>
	Contrast Ratio	700:1
	LCD Color	262K/16.2M
	Pixel Pitch (mm)	0.264 (H) x 0.264 (V)
	Viewing Angle (H-V)	160°(H) / 140°(V)
	Backlight MTBF	30000 hrs (LED backlight)
Touch	Touch Screen	5-wire resistive type with RS-232 interface
	Touch Controller	PenMount DMC9000
System	CPU	Intel® Atom™ N2800 dual core 1.86 GHz CPU
	Chipset	Intel® NM10
	RAM	Support one 1066MHz 204-pin DDR3 SO-DIMM slot (max. 4GB)
	Ethernet	Realtek RTL8111E PCIe GbE controller supporting ASF 2.0
	Audio Codec	Realtek ALC892 HD Audio codec
	HDD	2.5" SATA 2.0 HDD bay
	Input / Output	1 x Mini USB 2.0 port on front panel 1 x MicroSD card slot on front panel 1 x Power switch 1 x AT/ATX switch 1 x Reset button 1 x Clear CMOS button 1 x DC input jack
Other Features	Audio	AMP 1.5 W + 1.5 W
	Camera and Microphone	2M pixels with low light function, digital microphone
	RFID Reader	EM 125 KHz or Mifare 13.56 MHz card reader (optional)
	MSR Card Reader	MSR card reader (optional)
	OSD Function	LCD on/off, brightness up/down, volume up/down, hotkey
	System Cooling	Fanless
Connectivity	Wireless	IEEE 802.11b/g/n Telec certified
Physical	Construction Front Panel	PC + ABS plastic front frame
	Mounting	Wall, Rack, Stand, RACK Mounting and Arm VESA 75mm x 75mm
	Color	Black
	Dimensions (WxHxD) (mm)	282.5 x 242.7 x 51
	Weight (N/G)	2.98 kg / 4.5 kg
Environment	Operating Temperature (°C) (Ambient with air flow)	-20°C ~ 45°C
	Storage Temperature (°C)	-20°C ~ 60°C
	Humidity	10% to 95% (non-condensing)
	IP Level	IP 64 compliant front panel
	Safety&EMC	CE / FCC
Power	Power Supply	60W power adapter, Input: 90VAC~264VAC, 50/60 Hz, Output: 12VDC
	Power Requirement	9 ~ 36 VDC
	Power Consumption	12V@2.75A (Intel® Atom™ N2800 CPU with 2GB DDR3 memory )

## Ordering Information

Part Number	Description
AFL2-10A-N28/R/2G-R11	10.4" 400cd/m <sup>2</sup> SVGA fanless panel PC with Intel® Atom™ cedarview N2800 dual core 1.86GHz, 802.11b/g/n wireless module, resistive touch screen, 2M camera, microphone, 2GB DDR3 RAM, R11

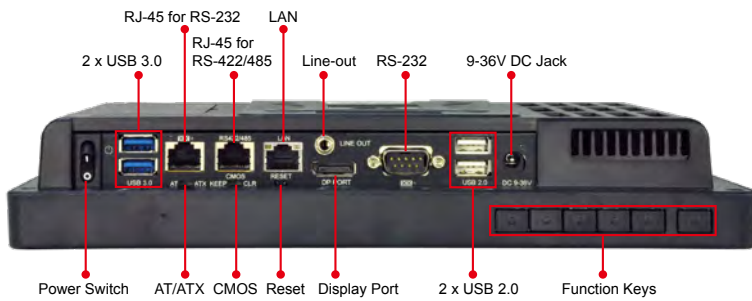
## Options

Item	AFL2-10A-N28
Panel Mounting Kit	AFL2PK-10A
Wall Mounting Kit	AFLWK-12
Rack Mounting Kit	AFL2RK-10A
Stand	STAND-C12-R10/STAND-A21-R10
V-stand	VSTAND-A10-R11
Magnetic Stripe Reader	AFL2P-12AMSR-U-R10
EM RFID Reader	AFL2-EM-RFID-KIT01-R10
Mifare RFID Reader	AFL2-MF-RFID-KIT01-R11
OS: Win XPE (CD-ROM)	AFL2-W10A-CV-XPE-R11
OS: Win 7 Embedded (DVD-ROM)	AFL2-W10A-CV-WES7E-R11 (for Resistive Touch)

## Packing List

Item	P/N	Q'ty	Description
Utility CD		1	drivers and user manual
One Key Recovery CD		1	
Power adapter	63040-010060-130-RS	1	(Meet PSE)
Power cord	32702-000200-100-RS	1	European standard, 1830mm
Power transfer cord	32702-000300-100-RS	1	

## Fully Integrated I/O



- Fn
- Backlight On/Off
- Audio -
- Audio +
- Brightness -
- Brightness +
- Fn + Backlight On/Off
- Fn + Audio Mute
- Fn + Camera Enable/Disable
- Fn + Front Side USB Enable/Disable
- Fn + Power On / Off

## AFL2-10A Dimensions

(Unit: mm)

