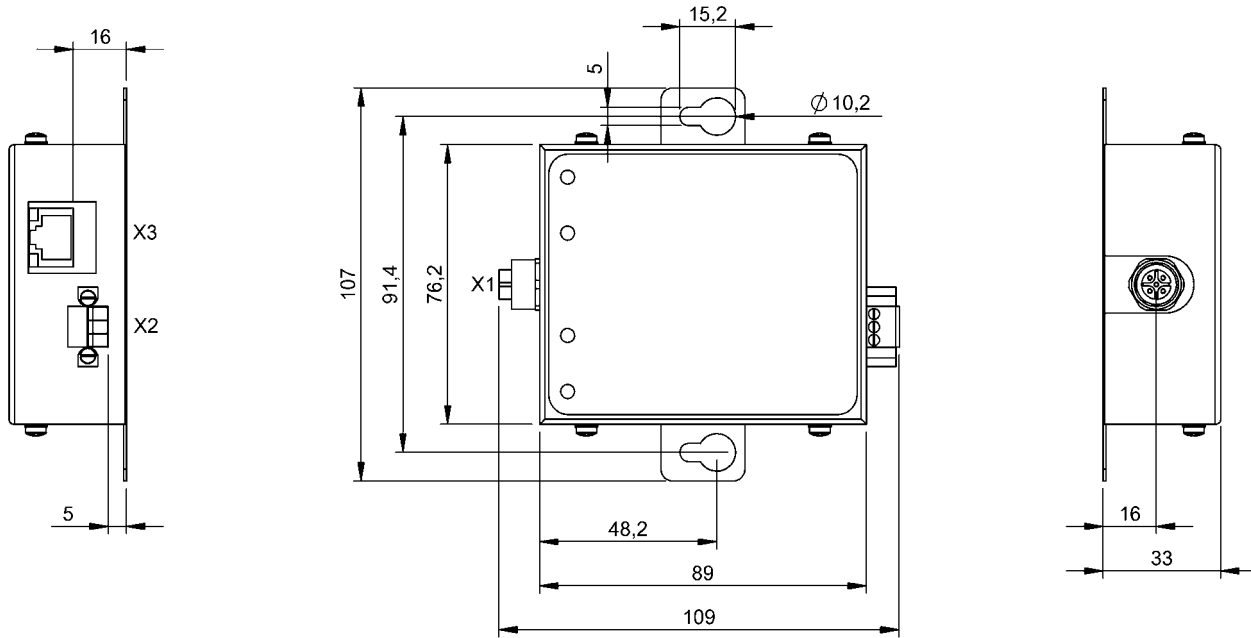


HF (13.56 MHz)  
 BIS Z-GW-001-TCP  
 Ordercode: BAE00JM



### Display/Operation

|                    |  |
|--------------------|--|
| Function indicator | Error, LED red<br>Ethernet, LED yellow<br>Subnet 16 bus, LED yellow<br>Power (ON), LED green |
|--------------------|--|

### Electrical connection

|                                |   |
|--------------------------------|---|
| Connection (COM 1)             | X3 (Ethernet): Female                                   |
| Connection (supply voltage IN) | X2 (for test purposes only):                            |
| Connection slots               | X1 (Subnet 16/RS485/supply voltage): M12x1-Male, 5-pole |

### Electrical data

|                                     |             |
|-------------------------------------|-------------|
| Current consumption max. at 24 V DC | 133 mA      |
| Operating voltage $U_b$             | 12...30 VDC |
| Residual ripple max.                | 10 %        |

### Environmental conditions

|                         |             |
|-------------------------|-------------|
| Ambient temperature     | -20...50 °C |
| Continuous shock load   | yes         |
| EN 60068-2-27, Shock    | yes         |
| EN 60068-2-32 Free fall | yes         |
| EN 60068-2-6, Vibration | yes         |

|                     |             |
|---------------------|-------------|
| Protection degree   | IP30        |
| Storage temperature | -20...70 °C |

### General data

|                     |                                    |
|---------------------|------------------------------------|
| Approval/Conformity | CE<br>FCC Part 15<br>Size 1, Cl. A |
| EN 55011            |                                    |

### Material

|                  |                    |
|------------------|--------------------|
| Housing material | Aluminum, die-cast |
|------------------|--------------------|

### Mechanical data

|                    |                   |
|--------------------|-------------------|
| Application weight | 260.00 g          |
| Dimension          | 107 x 33 x 109 mm |

### Output/Interface

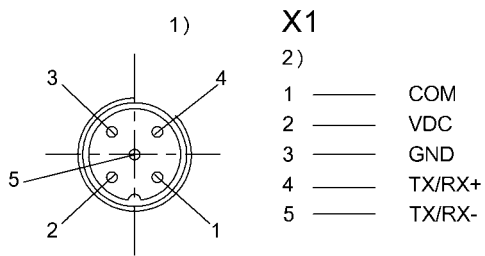
|                      |                       |
|----------------------|-----------------------|
| Auxiliary interfaces | Subnet 16 (RS485)     |
| Baud rate            | 10 MBaud<br>100 MBaud |
| Interface            | Ethernet TCP/IP       |

HF (13.56 MHz)  
BIS Z-GW-001-TCP  
Ordercode: BAE00JM

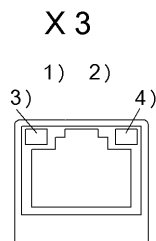
Remarks

Values are under rated conditions unless otherwise specified.

### Connector view



1) View towards connector  
2) Female 5-pin/ Function



1) View towards connector  
2) Socket RJ45  
3) Ethernet Link, LED yellow  
4) Ethernet Traffic, LED green