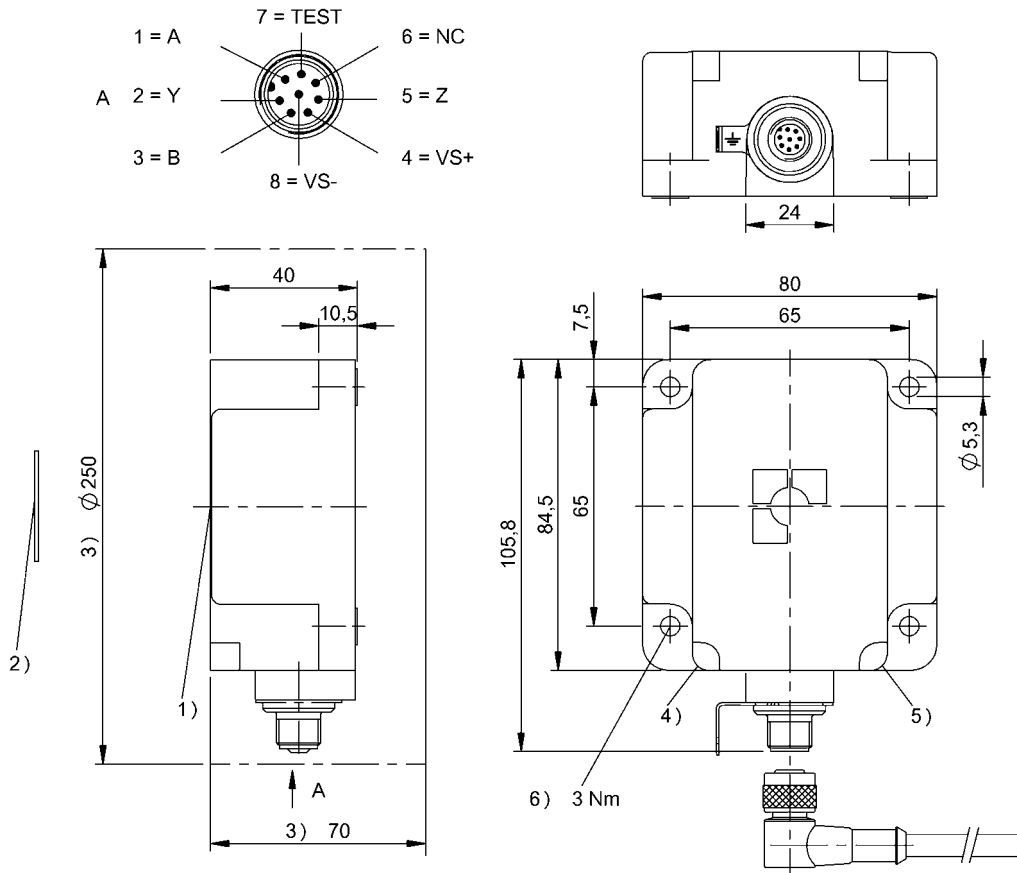


HF (13.56 MHz)  
 BIS M-341-001-S115  
 Ordercode: BIS00M6



1) Sensing surface 2) Data carrier 3) Clear zone 4) LED (Power) 5) LED (TP)



### Display/Operation

Function indicator	LED yellow TP (Tag Present) Green LED Power (ON)
--------------------	---

### Electrical connection

Connection	Male, 8-pin
------------	-------------

### Electrical data

EN 300330-1	Power Class 5
-------------	---------------

### Environmental conditions

Ambient temperature	0...70 °C
Continuous shock load	yes
EN 60068-2-27, Shock	yes
EN 60068-2-32 Free fall	yes
EN 60068-2-6, Vibration	yes
Protection degree	IP67
Storage temperature	-20...85 °C

### Functional safety

MTTF (40 °C)	242 a
--------------	-------

### General data

Antenna type	Round
Approval/Conformity	UL-FILE E227256, Vol.X1, BIS CE

### Material

Housing material	PBT
------------------	-----

### Mechanical data

Application weight	360.00 g
Dimension	80 x 40 x 84.5 mm
Installation	with clear zone (in steel)

HF (13.56 MHz)

BIS M-341-001-S115

Ordercode: BIS00M6

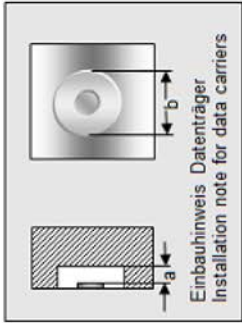
Remarks

---

For installation in metal: Observe clear zone.  
Values are under rated conditions unless otherwise specified.  
Only together with BIS M-6xxx  
Only for data carriers acc. to ISO 15693.  
For basic equipment: Accessories see [www.balluff.com](http://www.balluff.com)

**BIS M-341-\_\_**

	BIS M-112-02/L	BIS M-108-02/L		
passende Datenträger				
Appropriate data carriers				
Abstand Datenträger zu Metall in mm ( a )	>50	>50	>0	
Data carrier distance to metal in mm				
Freizone Datenträger in mm ( b )	>200	>200	>200	>0
Data carrier clear zone in mm				
Schreibabstand in mm	35-90	20-60	0-50	
Write distance in mm				
Leseabstand in mm	35-90	20-60	0-50	
Read distance in mm				
Versatz in mm bei Abstand von				
Offset in mm at distance				
	0			
	5		±30	
	9		±30	
	12		±30	
	15		±30	
	16		±30	
	18		±30	
	20		±35 ±30	
	22		±35 ±30	
	25		±35 ±30	
	30		±35 ±30	
	35		±30 ±20	
	40	±55	±30 ±20	
	45	±55	±30 ±20	
	50	±55	±30 ±20	
	60	±55	±30	
	70	±40		
	80	±40		
	90	±20		



**BIS M-341-\_\_**

passende Datenträger Appropriate data carriers	BIS M-140-02/A- xx	BIS M-142-02/A- xx	BIS M-143-02/A- xx	BIS M-144-02/A- xx
Abstand Datenträger zu Metall in mm ( a ) Data carrier distance to metal in mm	>0	>0	>0	>0
Freizone Datenträger in mm ( b ) Data carrier clear zone in mm	>100	>100	>100	>100
Schreibabstand in mm Write distance in mm	0-46	0-46	0-23	0-46
Leserabstand in mm Read distance in mm	0-46	0-46	0-23	0-46
Versatz in mm bei Abstand von Offset in mm at distance	0 ±33 5 ±33 10 ±33 12 ±33 16 ±33 20 ±30 23 ±30 25 ±30 30 ±30 35 ±24 40 ±24 46 ±8 50 55 60 65 70 80 90	±33 ±33 ±33 ±33 ±33 ±33 ±30 ±30 ±30 ±30 ±24 ±24 ±8	±25 ±25 ±25 ±20 ±20 ±20 ±10	±33 ±33 ±33 ±33 ±30 ±30 ±30 ±24 ±24 ±8

