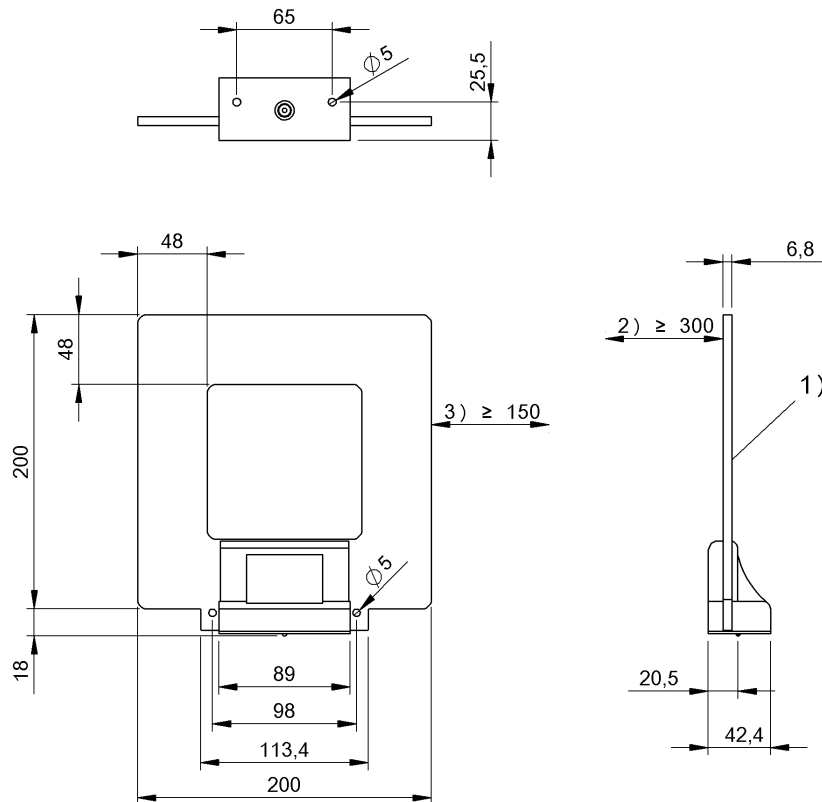


HF (13.56 MHz)
 BIS M-372-000-A01
 Order Code: BIS00WL

BALLUFF



- 1) Sensing surface
- 2) Clear zone
- 3) Clear zone surrounding



Basic features

Antenna type	round
Approval/Conformity	CE WEEE
Principle of operation	Read/write head

Electrical connection

Connection	RCA
------------	-----

Electrical data

Antenna gain	-26.3 dBi
Antenna impedance	50 Ohm
EN 300330-1	Power Class 5
Working frequency	13.56 MHz

Environmental conditions

Ambient temperature	-20...50 °C
Continuous shock load	yes
EN 60068-2-27, Shock	yes
EN 60068-2-32 Free fall	yes
EN 60068-2-6, Vibration	yes
IP rating	IP65
Storage temperature	-20...70 °C

Functional Characteristics

Supported data carrier types	DIN ISO 14443 DIN ISO 15693
------------------------------	--------------------------------------

Functional safety

MTTF (40 °C)	2010 a
--------------	--------

HF (13.56 MHz)
BIS M-372-000-A01
Order Code: **BIS00WL**

BALLUFF

Material

Housing material PA

Mechanical data

Application weight	520.00 g
Dimension	200 x 42.4 x 218 mm
Installation	metal-free (clear zone)

Remarks

Values are under rated conditions unless otherwise specified.

Only together with BIS M-62x or BIS VM-920x.

When using BIS VM-920 (BIS014N) + connection cable (BIS00WJ): Maximum read/write distance reduced by 10%.

For more information about MTTF and B10d see MTTF / B10d Certificate

Indication of the MTTF- / B10d value does not represent a binding composition and/or life expectancy assurance; these are simply experiential values with no warranty implications. These declared values also do not extend the expiration period for defect claims or affect it in any way.

Help Views

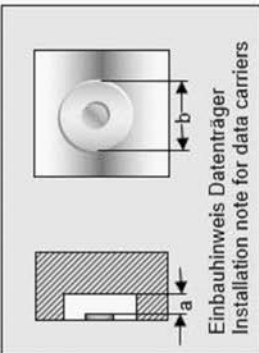
HF (13.56 MHz)

BIS M-372-000-A01

Order Code: BIS00WL

BALLUFF

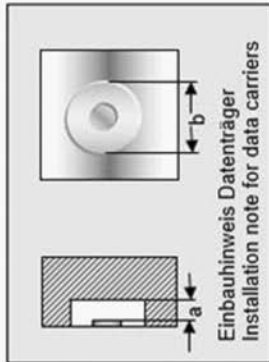
BIS M-372-000-A01

	BIS M-108-02/L *	BIS M-108-20/A *	BIS M-110-02/L *	BIS M-111-02/L *	BIS M-112-02/L *
passende Datenträger Appropriate data carriers					
Abstand Datenträger zu Metall in mm (a) Data carrier distance to metal in mm	>45	>45	>45	>45	>45
Freizone Datenträger in mm (b) Data carrier clear zone in mm	>430	>430	>420	>430	>450
Schreibabstand in mm Write distance in mm	0-160	0-150	0-115	0-175	0-235
Leseabstand in mm Read distance in mm	0-160	0-150	0-115	0-175	0-235
Versatz in mm bei Abstand von Offset in mm at distance	0 ±75 25 ±75 50 ±75 80 ±75 100 ±75 115 ±75 135 ±75 150 ±75 160 ±50 175 200 235	±75 ±75 ±75 ±75 ±75 ±75 ±75 ±75 ±75 ±75 ±75 ±75 ±75 ±75 ±75 ±50	±50 ±50 ±50 ±50 ±50 ±30	±75 ±75 ±75 ±75 ±75 ±75 ±75 ±75 ±75 ±50	±75 ±75 ±75 ±75 ±75 ±75 ±75 ±75 ±75 ±75 ±50 ±75 ±75
					
Einbauhinweis Datenträger Installation note for data carriers					

* nur in Verbindung mit BIS VM-920

BIS M-372-000-A01

passende Datenträger Appropriate data carriers		BIS M-142-02/A- XX *		BIS M-142-20/A- XX *	
Abstand Datenträger zu Metall in mm (a) Data carrier distance to metal in mm		>0		>0	
Freizone Datenträger in mm (b) Data carrier clear zone in mm		>420		>420	
Schreibabstand in mm Write distance in mm		0-65		0-65	
Leseabstand in mm Read distance in mm		0-65		0-65	
Versatz in mm bei Abstand von		0 ±50		0-65 ±50	
		20 ±50		±50	
		37 ±50		±50	
		65 ±30		±30	
		80			
		100			
		115			
Offset in mm at distance					



* nur in Verbindung mit BIS VM-920

HF (13.56 MHz)

BIS M-372-000-A01

Order Code: BIS00WL

BALLUFF

BIS M-372-000-A01

	BIS M-135-02/L	BIS M-135-03/L	BIS M-135-03/L- HT	BIS M-135-07/L- HT	
passende Datenträger Appropriate data carriers					
Abstand Datenträger zu Metall in mm (a) Data carrier distance to metal in mm	>45	>45	>45	>45	
Freizone Datenträger in mm (b) Data carrier clear zone in mm	>450	>450	>450	>450	
Schreibabstand in mm Write distance in mm	0-230	0-300	0-300	0-190	
Leseabstand in mm Read distance in mm	0-230	0-300	0-300	0-190	
Versatz in mm bei Abstand von Offset in mm at distance	0 ±100	0-300 ±100	0-300 ±100	0-190 ±100	
	50 ±100	±100	±100	±100	
	100 ±100	±100	±100	±100	
	150 ±100	±100	±100	±100	
	190 ±100	±100	±100	±100	
	230 ±50	±100	±100	±50	
300 ±50	±50	±50			

