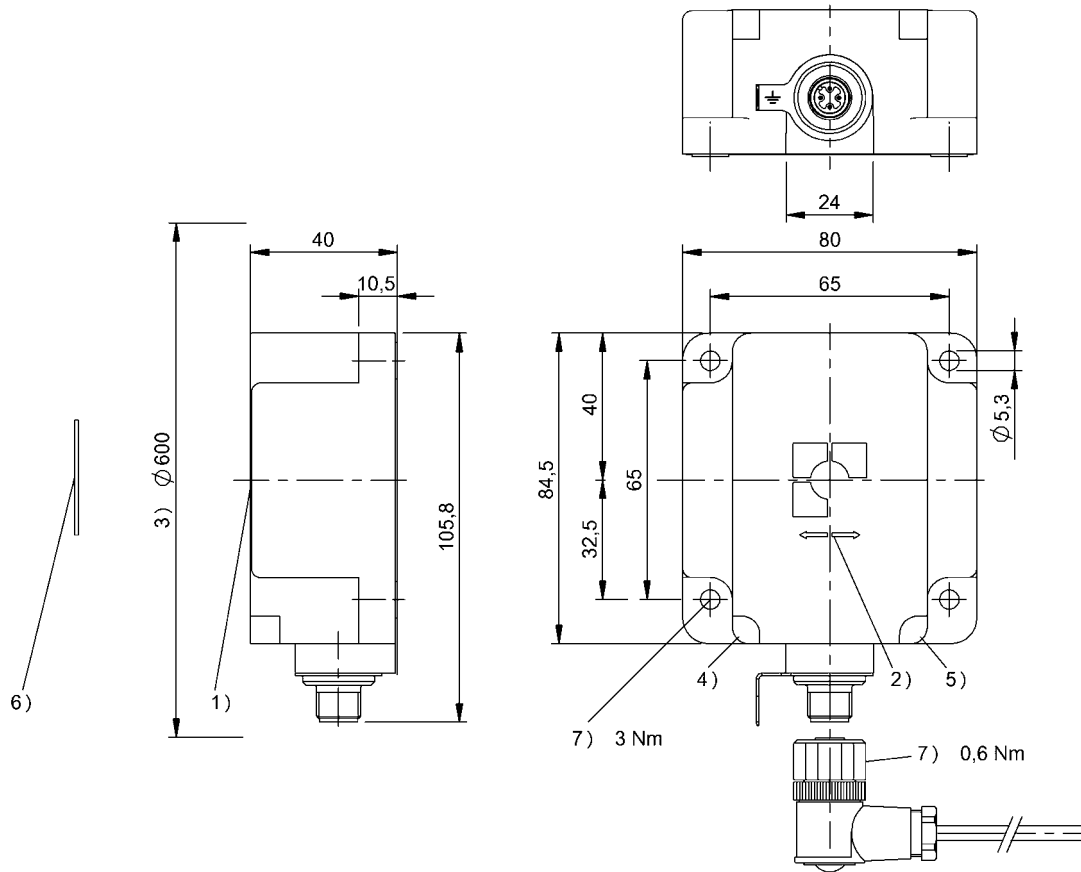


HF (13.56 MHz)
 BIS VM-351-401-S4
 Ordercode: BIS012Z



1) Sensing surface 2) Read/write axis 3) Clear zone 4) LED (Power) 5) LED (CP) 6) Data carrier 7) Tightening torque



Display/Operation

Function indicator	Operating, LED yellow flashing CP (Code tag present), LED yellow Power, LED green
--------------------	---

Electrical connection

Connection	Male, 4-pin
------------	-------------

Electrical data

EN 300330-1	Power Class 5
-------------	---------------

Environmental conditions

Ambient temperature	0...70 °C
Continuous shock load	yes
EN 60068-2-27, Shock	yes
EN 60068-2-32 Free fall	yes
EN 60068-2-6, Vibration	yes
Protection degree	IP67
Storage temperature	-20...85 °C

General data

Antenna type	Rod
Approval/Conformity	CE UL-FILE E227256, Vol.X1, BIS

Material

Housing material	PBT
------------------	-----

Mechanical data

Application weight	360.00 g
Dimension	80 x 40 x 84.5 mm
Installation	with clear zone (in steel)

Remarks

Only for data carriers acc. to ISO 15693.
 For basic equipment: Accessories see www.balluff.com
 Values are under rated conditions unless otherwise specified.
 For installation in metal: Observe clear zone.
 Only together with BIS V-6xxx

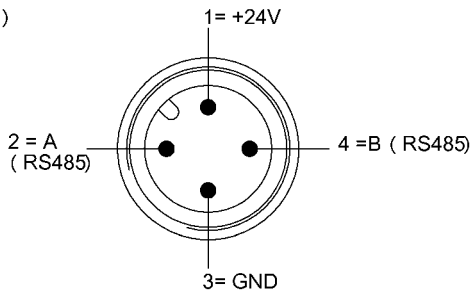
HF (13.56 MHz)

BIS VM-351-401-S4

Ordercode: BIS012Z

Connector view

1)



1) View towards connector

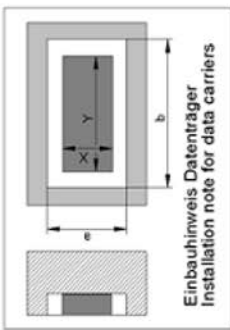
HF (13.56 MHz)

BIS VM-351-401-S4

Ordercode: BIS012Z

BIS VM-351-401

	BIS M-150-02/A	BIS M-151-02/A	BIS M-150-02/A	BIS M-151-02/A	
passende Datenträger					
Appropriate data carriers					
Freizone Datenträger in mm (a)	>200	>200	>200	>200	
Data carrier clear zone in mm	>200	>200	>200	>200	
Freizone Datenträger in mm (b)	>200	>200	>200	>200	
Data carrier clear zone in mm	>200	>200	>200	>200	
Datenträger Metall-Montagefläche 40x22	0-52	0-52	0-52	0-52	
Data carrier metal mounting surface 40x22	0-52	0-52	0-52	0-52	
Datenträger Metall-Montagefläche ≥ 200x200					
Data carrier metal mounting surface ≥ 200x200					
Schreibabstand in mm	0-52	0-52	0-52	0-52	
Write distance in mm	0-52	0-52	0-52	0-52	
Lesabstand in mm	0-52	0-52	0-52	0-52	
Read distance in mm	0-52	0-52	0-52	0-52	
Versatz in mm bei Abstand von	X	Y	X	Y	
Offset in mm at distance	0	±60	±25	±60	±25
	5	±60	±25	±60	±25
	12	±60	±25	±60	±25
	18	±60	±25	±60	±25
	20	±60	±25	±60	±25
	22	±60	±25	±60	±25
	25	±60	±25	±60	±25
	30	±60	±25	±60	±25
	32	±50	±25	±50	±25
	35	±50	±25	±50	±25
	40	±50	±20	±50	±20
	45	±25	±20	±25	±20
	50	±25	±20	±25	±20
	52	±25	±8	±25	±8
	60				
	65				



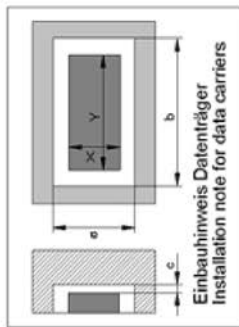
HF (13.56 MHz)

BIS VM-351-401-S4

Ordercode: BIS012Z

BIS VM-351-401

	BIS M-152-03/A	BIS M-153-02/A	BIS M-153-02/A	BIS M-153-1x/A	BIS M-157-17/A
passende Datenträger Appropriate data carriers					
Freizone Datenträger in mm (a) Data carrier clear zone in mm (a)	>200 >200	>240 >240	>240 >240	>240 >240	>200 >200
Freizone Datenträger in mm (b) Data carrier clear zone in mm (b)	>200 >200	>480 >480	>480 >480	>480 >480	>200 >200
Freizone Datenträger in mm (c) Data carrier clear zone in mm (c)	>50 >50	>50 >50	>0 >0	>50 >50	>50 >50
Schreibabstand in mm Write distance in mm	0-36 0-36	0-100 0-100	0-110 0-110	0-60 0-60	0-25 0-25
Lesabstand in mm Read distance in mm	0-36 0-36	0-100 0-100	0-110 0-110	0-60 0-60	0-25 0-25
Versatz in mm bei Abstand von Offset in mm at distance	X ±45 ±23 Y ±110 ±50	X ±110 ±50 Y ±110 ±50	X ±120 ±50 Y ±120 ±50	X ±70 ±30 Y ±70 ±30	X ±35 ±21 Y ±35 ±21
	0 ±45 ±23 5 ±45 ±23 10 ±45 ±23 15 ±45 ±23 20 ±40 ±20 25 ±40 ±20 30 ±36 ±18 36 ±20 ±10 40 45 50 60 70 80 90 100 110	±110 ±50 ±110 ±50 ±110 ±50 ±110 ±50 ±100 ±50 ±100 ±50 ±100 ±50 ±100 ±50 ±100 ±50 ±100 ±50 ±100 ±50 ±80 ±35 ±80 ±35 ±80 ±35 ±80 ±35 ±35 ±15	±120 ±50 ±120 ±50 ±120 ±50 ±120 ±50 ±100 ±50 ±100 ±50 ±100 ±50 ±100 ±50 ±100 ±50 ±100 ±50 ±100 ±50 ±80 ±35 ±80 ±35 ±80 ±35 ±80 ±35 ±25 ±15	±70 ±30 ±70 ±30 ±70 ±30 ±70 ±30 ±60 ±30 ±60 ±30 ±60 ±30 ±60 ±30 ±50 ±25 ±50 ±25 ±50 ±25 ±15 ±10	±35 ±21 ±35 ±21 ±33 ±19 ±23 ±13 ±7 ±5



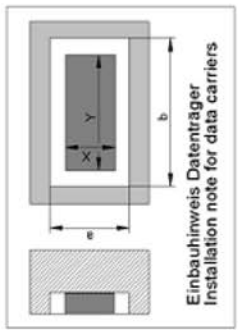
HF (13.56 MHz)

BIS VM-351-401-S4

Ordercode: BIS012Z

BIS VM-351-401

	BIS M-155-1x/A	BIS M-155-1x/A	BIS M-156-1x/A	BIS M-156-1x/A	BIS M-156-1x/A
passende Datenträger					
Appropriate data carriers					
Freizone Datenträger in mm (a)					
Data carrier clear zone in mm	>200	>200	>200	>200	>200
Freizone Datenträger in mm (b)					
Data carrier clear zone in mm	>200	>200	>200	>200	>200
Datenträger Metall-Montagefläche 40x22					
Data carrier metal mounting surface 40x22	0-40	0-40	0-42	0-42	0-42
Datenträger Metall-Montagefläche ≥ 200x200					
Data carrier metal mounting surface ≥ 200x200	0-50	0-50	0-42	0-42	0-42
Schreibabstand in mm					
Write distance in mm	0-40	0-40	0-42	0-42	0-42
Leseabstand in mm					
Read distance in mm	0-40	0-40	0-42	0-42	0-42
Versatz in mm bei Abstand von					
Offset in mm at distance	0-40	0-40	0-42	0-42	0-42
	X	Y	X	Y	X
0	±50	±24	±55	±28	±50
5	±50	±24	±55	±28	±50
12	±50	±24	±55	±28	±50
15	±50	±24	±55	±28	±45
18	±50	±24	±55	±28	±45
20	±50	±24	±55	±28	±45
22	±40	±22	±50	±25	±45
25	±40	±22	±50	±25	±45
30	±40	±22	±50	±25	±36
32	±40	±22	±40	±20	±36
35	±40	±22	±40	±20	±36
40	±20	±10	±40	±20	±18
42			±40	±20	±18
50			±20	±10	
52					
60					
65					



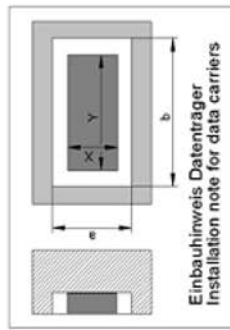
HF (13.56 MHz)

BIS VM-351-401-S4

Ordercode: BIS012Z

BIS VM-351-401

	BIS M-155-20/A	BIS M-155-20/A	BIS M-156-20/A	BIS M-156-20/A	BIS M-156-20/A
passende Datenträger					
Appropriate data carriers					
Freizone Datenträger in mm (a)	>200	>200	>200	>200	>200
Data carrier clear zone in mm	>200	>200	>200	>200	>200
Freizone Datenträger in mm (b)	>200	>200	>200	>200	>200
Data carrier clear zone in mm	>200	>200	>200	>200	>200
Datenträger Metall-Montagefläche 40x22	0-75	0-75	0-70	0-70	0-70
Data carrier metal mounting surface 40x22	0-75	0-75	0-70	0-70	0-70
Datenträger Metall-Montagefläche ≥ 200x200	0-70	0-70	0-70	0-70	0-54
Data carrier metal mounting surface ≥ 200x200	0-70	0-70	0-70	0-70	0-54
Schreibabstand in mm	0-75	0-75	0-70	0-70	0-54
Write distance in mm	0-75	0-75	0-70	0-70	0-54
Leseabstand in mm	0-75	0-75	0-70	0-70	0-54
Read distance in mm	0-75	0-75	0-70	0-70	0-54
Versatz in mm bei Abstand von	X Y	X Y	X Y	X Y	X Y
Offset in mm at distance	0 ±85 ±35	0 ±80 ±34	0 ±80 ±34	0 ±80 ±34	0 ±60 ±30
	5 ±85 ±35	5 ±80 ±34	5 ±80 ±34	5 ±80 ±34	5 ±60 ±30
	10 ±85 ±35	10 ±80 ±34	10 ±80 ±34	10 ±80 ±34	10 ±60 ±30
	15 ±85 ±35	15 ±80 ±34	15 ±80 ±34	15 ±80 ±34	15 ±60 ±30
	20 ±85 ±35	20 ±80 ±34	20 ±80 ±34	20 ±80 ±34	20 ±60 ±30
	25 ±85 ±35	25 ±75 ±30	25 ±75 ±30	25 ±75 ±30	25 ±52 ±25
	30 ±85 ±35	30 ±75 ±30	30 ±75 ±30	30 ±75 ±30	30 ±52 ±25
	35 ±75 ±30	35 ±75 ±30	35 ±75 ±30	35 ±75 ±30	35 ±52 ±25
	40 ±75 ±30	40 ±75 ±30	40 ±75 ±30	40 ±75 ±30	40 ±52 ±25
	45 ±75 ±30	45 ±65 ±27	45 ±65 ±27	45 ±65 ±27	45 ±45 ±20
	50 ±75 ±30	50 ±65 ±27	50 ±65 ±27	50 ±65 ±27	50 ±45 ±20
	54 ±60 ±25	54 ±65 ±27	54 ±65 ±27	54 ±65 ±27	54 ±22 ±12
	60 ±60 ±25	60 ±65 ±27	60 ±65 ±27	60 ±65 ±27	
	65 ±60 ±25	65 ±65 ±27	65 ±65 ±27	65 ±65 ±27	
	70 ±60 ±25	70 ±65 ±27	70 ±65 ±27	70 ±65 ±27	
	75 ±40 ±15	75 ±40 ±20	75 ±40 ±20	75 ±40 ±20	
	80	80	80	80	



BIS VM-351-401

	BIS M-191-02/A	BIS M-191-02/A
passende Datenträger Appropriate data carriers		
Freizone Datenträger in mm (a) Data carrier clear zone in mm	>27	>27
Freizone Datenträger in mm (b) Data carrier clear zone in mm	>27	>27
Datenträger auf Metall-Montagefläche Data carrier on metal mounting surface		0-27
Montage Metallfrei Mounting non-metal	0-57	0-57
Schreibabstand in mm Write distance in mm	0-57	0-27
Leseabstand in mm Read distance in mm	0-57	0-27
Versatz in mm bei Abstand von Offset in mm at distance	0-57	0-27
	X	Y
0	±70	±35
5	±70	±35
10	±70	±35
15	±70	±35
20	±70	±35
25	±60	±30
27	±60	±30
35	±60	±30
40	±60	±30
45	±50	±25
50	±50	±25
57	±30	±15
60		
65		
70		
75		

