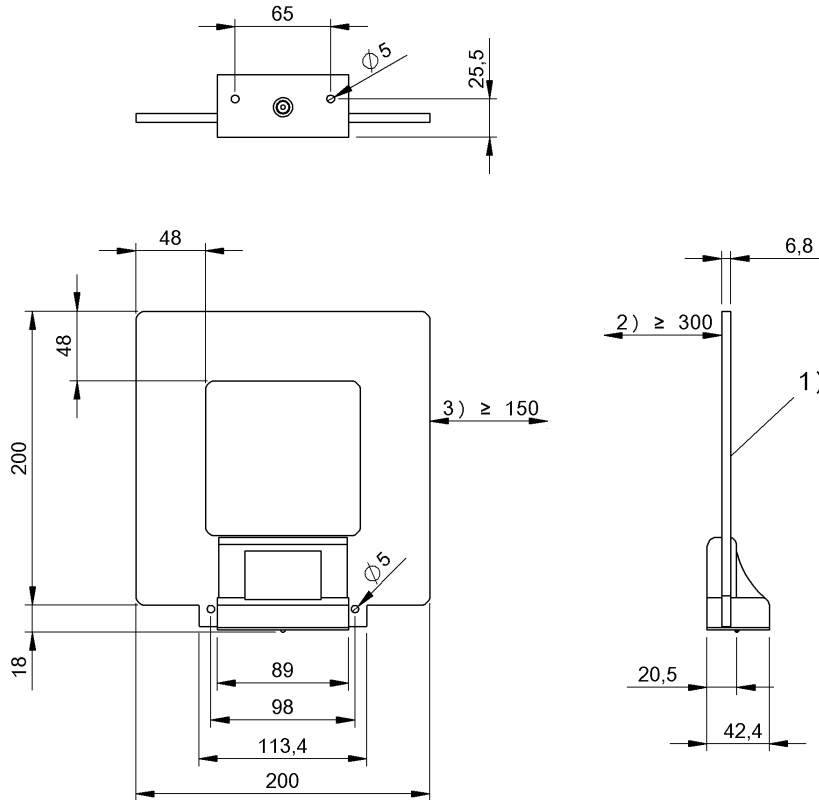


HF (13.56 MHz)
 BIS M-372-000-A01-SA1
 Ordercode: BIS013K



1) Sensing surface 2) Clear zone 3) Clear zone surrounding



Electrical connection

Connection RCA

Electrical data

Antenna gain -26.3 dBi
 Antenna impedance 50 Ohm
 EN 300330-1 Power Class 5
 Working frequency 13.22 MHz

Environmental conditions

Ambient temperature -20...50 °C
 Continuous shock load yes
 EN 60068-2-27, Shock yes
 EN 60068-2-32 Free fall yes
 EN 60068-2-6, Vibration yes
 Protection degree IP65
 Storage temperature -20...70 °C

Functional safety

MTTF (40 °C) 2010 a

General data

Antenna type Block
 Approval/Conformity CE

Material

Housing material PA

Mechanical data

Application weight 520.00 g
 Dimension 200 x 42.4 x 218 mm
 Installation Observe clear zone

Remarks

Use only together with BIS M-136-03/L-HT.
 Values are under rated conditions unless otherwise specified.
 Only together with BIS M-62x or BIS VM-920x.
 When using BIS VM-920 (BIS014N) + connection cable (BIS00WJ): Maximum read/write distance reduced by 10%.

For more information about MTTF and B10d see MTTF / B10d Certificate

Indication of the MTTF- / B10d value does not represent a binding composition

HF (13.56 MHz)

BIS M-372-000-A01-SA1

Ordercode: BIS013K

and/or life expectancy assurance; these are simply experiential values with no warranty implications. These declared values also do not extend the expiration

period for defect claims or affect it in any way.

BIS M-372-000-A01-SA1

passende Datenträger Appropriate data carriers	BIS M-136-03/L- HT				
Freizone Datenträger in mm (a) Data carrier clear zone in mm	>450				
Freizone Datenträger in mm (b) Data carrier clear zone in mm	>530				
Abstand Datenträger zu Metall in mm (c) Data carrier distance to metal in mm	>45				
Schreibabstand in mm Write distance in mm	0-310				
Lesabstand in mm Read distance in mm	0-310				
Versatz in mm bei Abstand von Offset in mm at distance	X Y				
	0 ±100 ±100				
	25 ±100 ±100				
	50 ±100 ±100				
	75 ±100 ±100				
	100 ±100 ±100				
	125 ±100 ±100				
	150 ±100 ±100				
	175 ±100 ±100				
	200 ±100 ±100				
	225 ±100 ±100				
	250 ±100 ±100				
	270 ±100 ±100				
	310 ±50 ±50				

