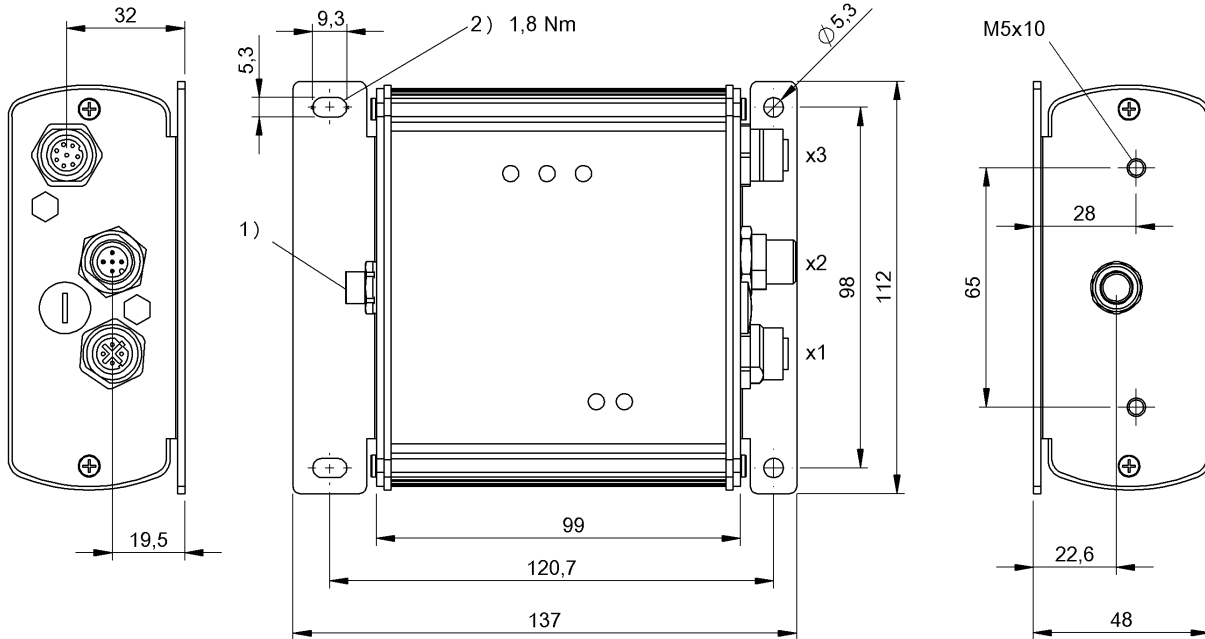


HF (13.56 MHz)

BIS M-626-069-A01-06-ST32

Ordercode: BIS00ZA



1) Antenna 2) Tightening torque



### Display/Operation

(BB) Ready	Green LED
RF	LED yellow

### Electrical connection

Connection (COM 1)	X1 (Ethernet): M12x1-Female, 4-pole, D-coded
Connection (supply voltage IN)	X2: M12x1-Male, 5-pole
Connection slots	RCA-Female X3 (IN/OUT): M12x1-Female, 8-pole

### Electrical data

Control input	1 (optocoupler isolated) PNP/NPN
Control output	2 (optocoupler isolated)
Current consumption max. at 24 V DC	500 mA
Input current max. at 24 V	28 mA
Operating voltage $U_b$	19.2...28.8 VDC
Operating voltage, output $V_s$	6...30 V DC
Output current max.	500 mA (500 mA ext. supply) 100 mA (int. supply)

Residual ripple max.	10 %
Voltage control	6...30 VDC

### Environmental conditions

Ambient temperature	-20...50 °C
Continuous shock load	yes
EN 60068-2-27, Shock	yes
EN 60068-2-32 Free fall	yes
EN 60068-2-6, Vibration	yes
Protection degree	IP65 with connector
Storage temperature	-20...70 °C

### General data

Approval/Conformity	CE UL-FILE E227256, Vol.X1, BIS Size 1, Cl. A
EN 55022	

### Material

Housing material	Aluminum
------------------	----------

HF (13.56 MHz)  
 BIS M-626-069-A01-06-ST32  
 Ordercode: BIS00ZA

Mechanical data

Application weight 550.00 g  
 Dimension 112 x 48 x 137 mm

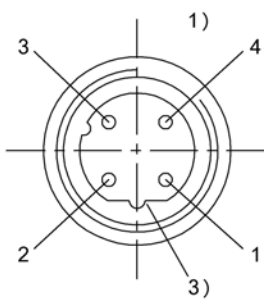
Remarks

Values are under rated conditions unless otherwise specified.  
 Only for data carriers acc. to ISO 15693 and ISO 14443A.

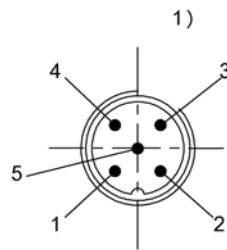
Output/Interface

Interface Industrial Ethernet/Ethernet  
 TCP/IP/MODBUS TCP

Connector view



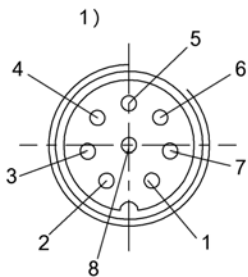
**X1**  
 2)  
 1 — TX+  
 2 — RX+  
 3 — TX-  
 4 — RX-



**X2**  
 2)  
 1 — n.c.  
 2 — VDC  
 3 — GND  
 4 — n.c.  
 5 — n.c.

1) View towards connector  
 2) n Female 4-pin/ Function  
 3) Coding D

1) View towards connector  
 2) Connector 5-pin/ Function



**X3**  
 2)  
 1 — VDC  
 2 — GND  
 3 — O1+  
 4 — O1-  
 5 — O2+  
 6 — O2-  
 7 — I1A  
 8 — I1B

1) View towards connector  
 2) Socket 8-pin/ Function