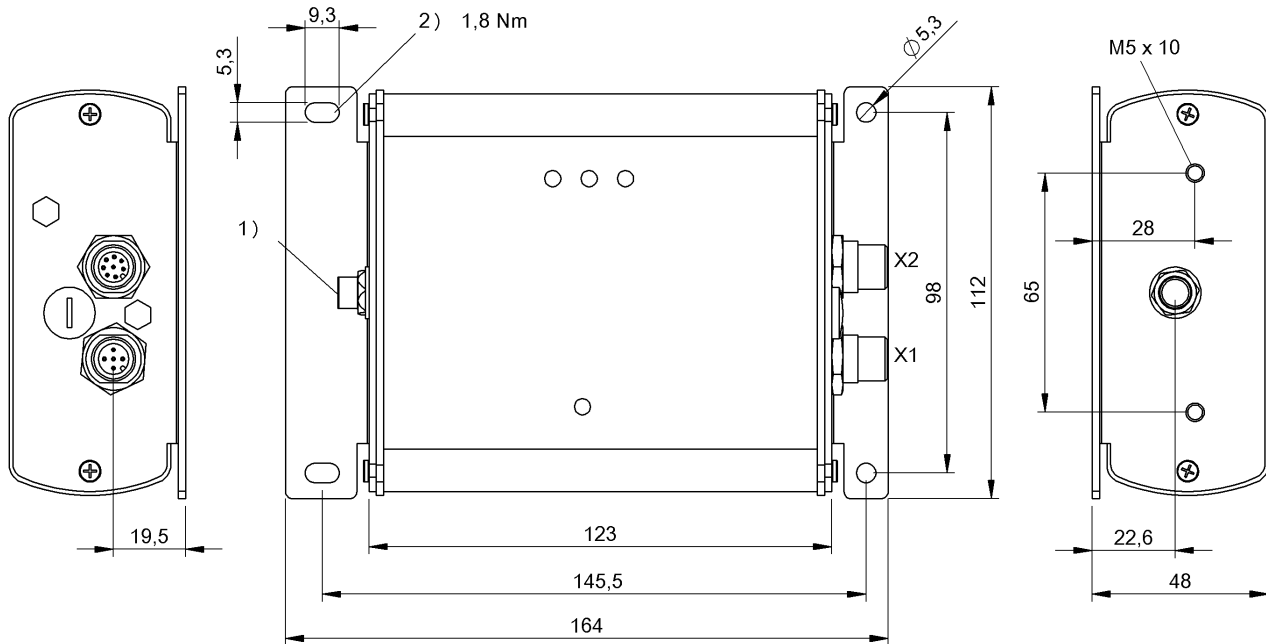


HF (13.56 MHz)
 BIS M-623-071-A01-03-ST30
 Order Code: BIS00ZE

BALLUFF



- 1) Antenna
- 2) Tightening torque



Basic features

Approval/Conformity	CE cULus EAC WEEE
EN 55022	Size 1, Cl. A
Principle of operation	Processor unit

Display/Operation

(BB) Ready	Green LED
Devicenet	Green LED/Red LED
RF active	LED yellow

Electrical connection

Connection (COM 1)	X1 (DeviceNet): M12x1-Male, 5-pin
Connection (COM 2)	X2 (RS232/power supply): M12x1-Male, 8-pin
Connection slots	RCA-Female

Electrical data

Current consumption max. at 24 V DC	500 mA
Operating voltage U_b	19.2...28.8 VDC
Residual ripple max.	10 %

HF (13.56 MHz)
BIS M-623-071-A01-03-ST30
Order Code: BIS00ZE

BALLUFF

Environmental conditions

Ambient temperature	-20...50 °C
Continuous shock load	yes
EN 60068-2-27, Shock	yes
EN 60068-2-32 Free fall	yes
EN 60068-2-6, Vibration	yes
IP rating	IP65, with connector
Storage temperature	-20...70 °C

Material

Housing material	Aluminum
------------------	----------

Mechanical data

Application weight	560.00 g
Dimension	112 x 48 x 164 mm

Output/Interface

Interface	DeviceNet galvanically isolated
-----------	---------------------------------

Remarks

Values are under rated conditions unless otherwise specified.
 Only for data carriers acc. to ISO 15693 and ISO 14443A.

Connector Drawings

