

HIT-W121B

11.6" Healthcare/Hospitality Infotainment Terminal



Features

- All-in-one computer with high performance and low power consumption
- Industrial design in a slim (43mm) and stylish form factor for healthcare and hospitality applications
- Fanless design for a quiet operating environment
- 16:9 display provides a natural viewing experience
- True flat touch screen for easy cleaning
- IP65 compliant front panel
- Standard 75mm VESA mounting
- Rich peripheral options: Handset / RFID / Smart Card Reader / Barcode Scanner / MSR
- Medical and ITE dual certificate to provide complete application coverage
- Supports Power-over-Ethernet (PoE)
- Supports Windows, Android, and Linux operating systems



Introduction

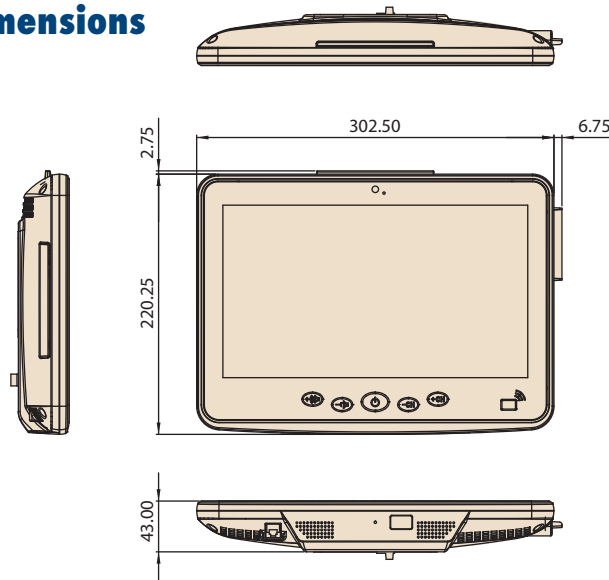
HIT-W121B is an 11.6" all-in-one infotainment terminal for healthcare and iServices. It is powered by an Intel Bay Trail Quad Core processor that supports Windows, Android, and Linux operating systems. The HIT-W121B can be used for communication between family members via webcam, WiFi, and Ethernet network connectivity. It can also be used to authenticate hospital staff and patients through RFID and Smart Card Reader modules. HIT-W121B is ideal for applications within hospitals, such as nurse calls or bedside information terminals. It is also suitable for other healthcare-related environments such as treatment centers, elderly care facilities, and fitness centers.

Specifications

Hardware	CPU	Intel BayTrail J1900
	Front Side Bus	2.0 GHz (Quad-Core)
	System Chipset	J1900
	Memory	Up to 8 GB (Default: 4GB)
	Storage	1 x 2.5" SATA SSD or mSATA (HDD not support)
	Camera	5MP CCD Module
Display	Size	11.6" TFT Widescreen
	Max Resolution	1366 x 768
	Luminance	200 cd/m ²
	Contrast Ratio	500:1
Touchscreen	Type	Projected Capacitive (Optional: Resistive Touch)
	Light Transmission	PCAP Touch : 88%. (Resistive Touch : 80%)
I/O Ports	USB Port	USB 3.0 x 1, USB 2.0 x 2
	Smart Card Reader	1
	Line out	1
	Microphone in	1
	COM Port (Isolated)	1
Audio	Speaker	2 watt x 2
	Microphone	1
Network	LAN	10/100/1000 RJ-45 x 1 (w/ PoE, IEEE 802.3AT)
	WLAN	802.11 a/b/g/n, BT 4.0
Emergency Alarm	Hotkey	5 programmable touch buttons (Optional: one key PCAP)
	LED Light Indicator	1
Bus Expansion	Mini-PCI Slot	2 (1x Full Size, 1x Half Size)
Software	Operating System	Windows: WES7E/P, WES8, Win10. Linux: Fedora13, Ubuntu. Android 4.4
Mechanical	Mounting	VESA 75 x 75 mm
	Dimension (W x H x D)	302.5 x 220.25 x 43 mm (119.09 x 86.71 x 16.93 in)
	Weight	2.3 kg (5.07 lbs)
Options	TV Tuner	Yes, Optional (Digital / Analog Hybrid)
	Handset	Yes, Optional
	Barcode Scanner	Yes, Optional. 2D type
	Table Stand	Yes, Optional
	RFID	Yes

Dimensions

Unit: mm



Standard P-Cap Touchscreen Artwork: 5-Key w/ RFID Icon



Optional P-Cap Touchscreen Artwork: 1-Key w/ RFID Icon



Optional Res. Touchscreen Artwork: 5-Key w/ RFID Icon



Specifications (Cont.)

Power Supply	AC/DC Adapter	IT or Medical Grade
	Input Voltage	100 ~ 240 V _{AC} , 1.1 ~ 0.45 A @ 47~ 63 Hz
	Output Voltage	IT Grade: 19V _{DC} , 3.42A Max / Medical Grade: 18V _{DC} , 3.5A Max
Environment	Operating Temperature	0 ~ 40 °C
	IP Rating	Front Panel: IP65; Unit : IPX1
	Vibration	1 G
	Shock	50 G
	Certifications	CE, FCC, CCC, CB, ITE IEC 60950 & UL 60601-1 Certified

Ordering Information

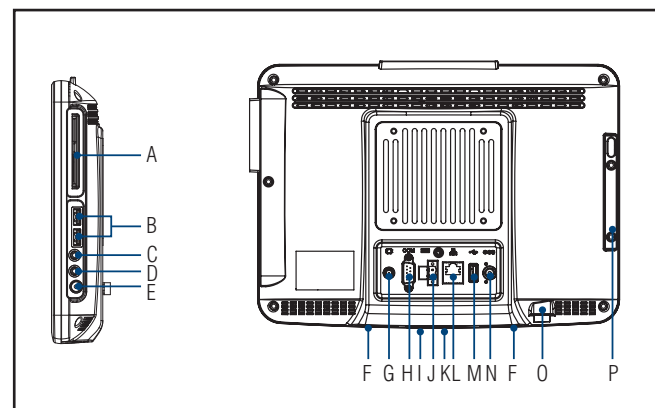
Part No.	Part No. Description
HIT-W121BP-AMW1E	11.6" W Baytrail J1900, PCAP T/S, Polished White, w/Full config & Medical adapter
HIT-W121BP-APW1E	11.6" W Baytrail J1900, PCAP T/S, Polished White, w/Full config & PoE module

*Note: Full config : Included Web camera, RFID, Smart Card Reader, Wifi/BT, HDD & OS

Accessories

Part Number	Description
HIT-W121-HSKE	Handset Kit for HIT-W121B
1700001524	Power cord USA 1.83M (for ITE)
170203180A	Power cord UK 1.83M (for ITE)
170203183C	Power cord EU 1.83M (for ITE)
1702002600	Power Cable USA 1.8 M (for Medical)
1702002605	Power Cable EU 1.8 M (for Medical)
1700018704	Power Cord UK 1.8 M (for Medical)

Fully- Integrated I/O



- A. Smart Card Insert Tray
- B. USB 2.0 x 2
- C. Mic In
- D. Line Out
- E. Power Switch
- F. Speaker x 2
- G. Reserved Port
- H. Isolated COM (RS232) Port
- I. Barcode Scanner (Optional)
- J. 2-PIN Connector
- K. Built-in Mic
- L. RJ-45 LAN port (Optional: PoE)
- M. USB 3.0
- N. DC In
- O. RJ-12 Handset Connector
- P. Handset / MSR Dock