

HIT-W183

Innovative 18.5" Healthcare/Hospitality Information Terminal



Features

- Innovative and ultra-slim design for healthcare and hospitality applications
- All-in-one computer with Intel® Apollo Lake N4200 CPU
- True-flat touch screen for easy cleaning
- Supports dual OS-Win 10 IoT 64 bit/Android 6.0.1
- Supports M.2 2230 WiFi / BT modules and M.2 2242 SSDs
- Supports RFID/NFC/Web Camera/Smart Card Reader
- Dual isolated Ethernet – Internet (for patients) and intranet (for hospitals) network traffic management and data security
- Supports nurse call button & LED indicator
- Rich optional peripherals – Handset / TV Tuner(SMA Jack)/2nd Smart Card Reader, Barcode Scanner, RFID+HID
- Medical and ITE dual certification (EN 60601-1 & IEC 62368) to provide complete application coverage



Introduction

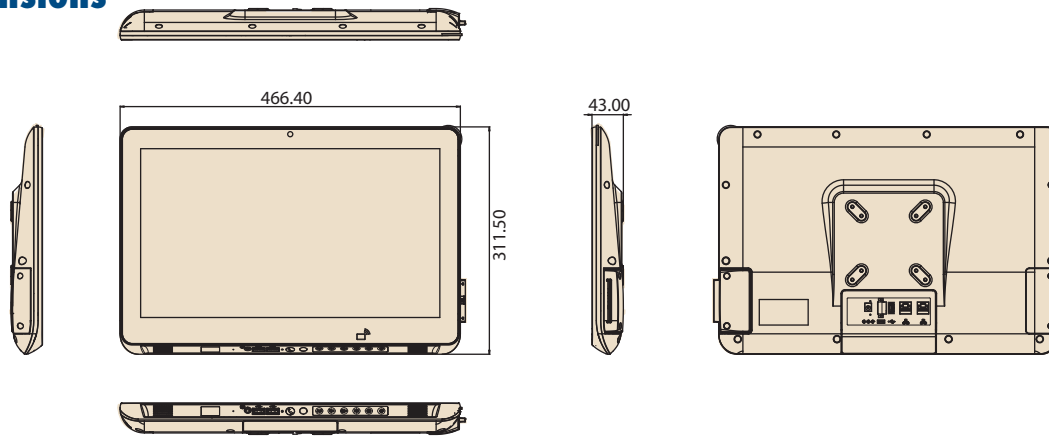
HIT-W183 is an innovative product in the HIT-series, featuring a 43mm thin body enclosure, USB 3.0, 5 megapixel camera, and dual isolated Ethernet, which lets hospitals separate and manage internal and external network traffic. The HIT-W183 also features a dedicated audio codec for our background noise-canceling handset to guarantee the best audio quality for calls to nurse stations. The available nurse call button and the LED indicator can be easily linked to existing nurse call systems in hospitals, and can be operated independently, even when the system is off. HIT-W183 is ideal for applications in hospitals, such as bedside information terminals, IP nurse call stations, and treatment centers. It can also be used as an HMI interface for medical equipment.

Specifications

| | | |
|--------------|---|--|
| Hardware | CPU | Intel® Apollo Lake N4200 (2M Cache, up to 2.5 GHz) |
| | Memory | DDR3L x 1, up to 8GB (Default 4GB) |
| | Primary Storage | M.2 2242 SSD (Default 64GB) |
| | Camera | 5MP CMOS |
| | Bus Expansion | Mini-PCIe x 1 |
| Display | Size | 18.5" W TFT LED |
| | Max Resolution | 1920 x 1080 FHD |
| | Luminance | 350 cd/m ² |
| | Contrast Ratio | 1000:1 |
| Touchscreen | Type | Projected Capacitive |
| Front Button | Hotkey | Screen on/off |
| | | Volume up |
| | | Volume down |
| | | Brightness up |
| | | Brightness down |
| I/O Ports | Reading Light LED Button | |
| | USB 3.0 | 1 (Rear) |
| | USB 2.0 | 2 |
| | Smart Card Reader | 1 (Default), Optional 2nd reader |
| | RFID/NFC | 1 (optional RFID+HID) |
| | Audio Jack (TRRS) | 1 |
| | Handset Out(RJ12)-Hide in the left side | 1 |
| | Nurse Call Phoenix Port (4-pin) | 1 |
| DC-in | 1 | |
| Audio | Speaker | 3 Watt x 2 |
| | Internal Microphone | 1 |
| Network | LAN (Isolated) | Isolated RJ45 (10/100/1000 Mbit) x 2 |
| | Bluetooth | BT 4.1 (Default Module) |
| | WLAN | 802.11 a/b/g/n/ac (Default Module) |
| Software | OS | Win 10 IoT 64bit /Android 6.0.1 |
| Mechanical | Mounting | VESA 75 x 75 mm & 100 x 100 mm |
| | Dimensions (W x H x D) | 466.4 x 311.5 x 43 mm (18.4" x 12.3" x 1.7") |
| | Weight | Net Weight (w/o adapter): 8.58lb, 3.89kgs Gross Weight: 13.1 lb, 5.94 kgs |
| Option | TV Tuner (SMA Jack) | Optional (Built-in Module) |
| | 2nd Smart Card Reader | Optional (Built-in Module) |
| | Handset | Optional (Add-on Module) |
| | Barcode Scanner | Optional (Bottom) |

Dimensions

Unit: mm



Specifications (Cont.)

| | | |
|--------------|-----------------------|---|
| Power Supply | AC/DC Adapter | |
| | Input Voltage | 100 – 240V _{AC} , 1.1 – 0.45A @ 47 – 63Hz |
| | Output Voltage | IT or Medical 18-19 V _{DC} , 3.42A |
| Environment | Operating Temperature | 0 – 40°C |
| | Vibration | 1G |
| | Shock | 10G Peak Acceleration (11ms duration) |
| | EMC & Safety Cert. | CE, FCC, CCC, CB, UL ITE & Medical, EN 60601-1& IEC 62368, BSMI |

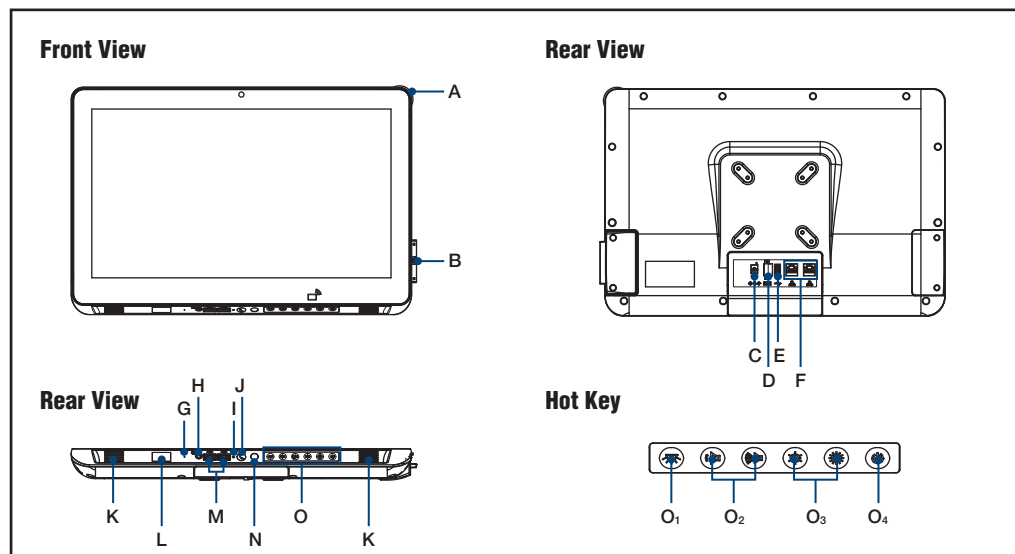
Ordering Information

| Part Number | Description |
|------------------|--|
| HIT-W183AP-AMW1E | 18.5" Wide Screen, Intel Celeron N4200, PCAP Touch, 4G RAM, 64G SSD, Web Camera, Smart Card Reader, WiFi/BT, RFID, Medical Adapter, Win10 IoT Embedded |
| HIT-W183AP-ATW1E | 18.5" Wide Screen, Intel Celeron N4200, PCAP Touch, 4G RAM, 64G SSD, Web Camera, Smart Card Reader, WiFi/BT, RFID, ITE Adapter, Win10 IoT Embedded |

Accessories

| Part Number | Description |
|--------------------|--|
| HIT-W183-HSK0E | HIT-W183 & HIT-W153 Handset Kit |
| 1700001524 | Power cord USA 1.83M (for ITE) |
| 170203180A | Power cord UK 1.83M (for ITE) |
| 170203183C | Power cord EU 1.83M (forITE) |
| 1702002600 | Power Cable USA 1.8 M (for Medical) |
| 1702002605 | Power Cable EU 1.8 M (for Medical) |
| 1700018704 | Power Cord UK 1.8 M (for Medical) |
| HIT-STD-W001-C | HIT Stand for 11.6, 15.6, 18.5 |
| PDC-W215-STAND-H3E | PDC-W215 STAND_H3-741L type_6-12kg BLACK |

Fully- Integrated I/O



- A. Alarm lens
- B. Smart card reader
- C. DC jack
- D. Digital I/O Phoenix port (4 pin)
- E. USB 3.0
- F. Isolated RJ-45 LAN
- G. Mic
- H. Audio jack (TRRS)
- I. Reset button
- J. Nurse call button
- K. Speaker
- L. Barcode scanner (optional)
- M. USB 2.0
- N. Reading Light
- O. Hot key
 - O₁. Reading light on/off
 - O₂. Volume up/down
 - O₃. Brightness up/down
 - O₄. Screen on/off