

AMiS-50

Advantech Medical Cart



Features

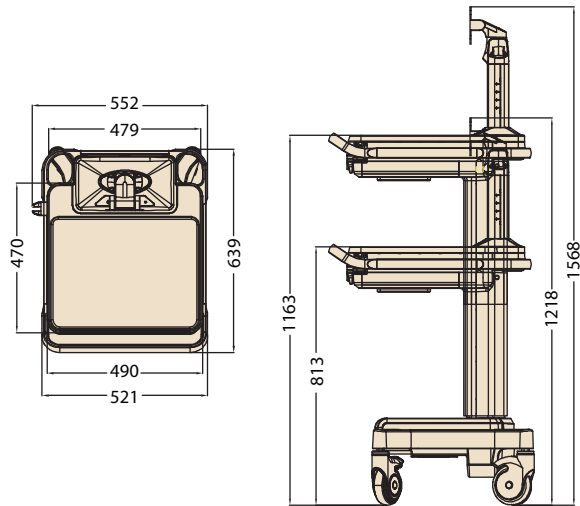
- Highly integrated computer and power cart solution for medical applications
- Intel® Core™ i5 processor for high performance
- 10-hour battery runtime with 420 W power supply
- 40-kg load capacity with motorized height adjustment
- Medical-grade certification
- IPX1 rated for superior infection control
- Keyboard light supports use in dark environments
- 4 x USB and 1x RJ-45 port in VESA mount neck

Specifications

Category	Attribute	AMiS-50	
Embedded Computing System	CPU	Intel® Core™ i5 1.9 GHz	
	Chipset	4th Generation Intel® Core™ ULT processors + Lynx Point-LP	
	Memory	4 GB DDR3L SO-DIMM max.16Gx2	
	Storage	2.5" SATA HDD 500 GB	
	Box PC I/O Ports		DP/HDMI x 1 DP++ x 1 Ethernet x 2 COM x1 USB 3.0 x 4 2 single audio jack for Line-Out (green), Mic-in (Red) DC Jack x 1
		WLAN	802.11a/b/g/n
		Operating System (Optional)	Supports Microsoft Windows 7; Windows 8
		Base Cart	Footprint
Casters			125 mm x 125 mm (Medical casters, two locking, two non-locking)
Height Adjustment Range	32.0" ~ 45.8" (813 ~ 1163 mm); stroke 350mm		
Display Holder	Standard VESA Mount (VESA 75/75; VESA 100/100); Weight capacity: max. 18 kg		
I/O Ports	USB 2.0 ports x 4, Gigabit Ethernet Interface (RJ-45) x 1		
Dashboard			Battery Power Button Computer Power Button LED for Battery Capacity Indication
	Work Surface		18.5" x 19.3" (469.9 x 489.9 mm) Extra Loading Capacity: Up to 88 lb/40 kg
	Keyboard & Mouse Area		
		Accessory Integration Interface	Neck: Dove Tail Work Surface: DIN Rail (Right, Left and Rear)
Power Module	Battery Type	Lithium-Iron Phosphate (LFP)	
	Battery Capacity	420Wh	
	Power Input Voltage	100 ~ 240 V _{AC} , 50-60 Hz, Max 4.5A	
	DC Output Voltage	System 1: 19 V _{DC} , Max. 6 A System 2: 12 V _{DC} , Max. 5 A	
	Battery Lifespan	DOD 80%, 2000 cycles	
	Battery Charge Time	< 3hr. DOD 100%	
	Battery Runtime (Depends on system configuration)	8~10 Hours	
Battery Management Software	AMiS_Link	Battery Capacity Indicator Alerts (battery capacity, temperature, warning) Battery Lifecycle Statistics Report & Log File Client Installation Server Installation (Optional) Multi-language support, including Chinese Traditional, Chinese Simplified, English, German and Dutch	

Dimensions

Unit: mm



Display Holder I/O



USB 2.0 x 4



Gigabit LAN x1

Control Panel



Battery power

Height adjustment
Computer power

Ordering Information

Part Number	Motor	Embedded Computer	Battery
AMIS-50-FM1-F2NE	Yes	Intel® Core™ i5 4300U	420W

Peripheral Ordering Information

Power Cord

Part Number	Power Cord Type (Spiral)
1700019822	China
1700019823	US
1700019824	EU
1700019825	UK
1700020538-01	Australia
1700022626-01	Brazil

Display

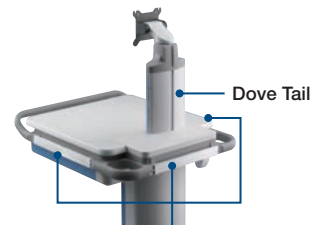
Part Number	Touch	DICOM preset	True Flat	Power
PDC-W215-DC-BTE	Yes	Yes	Yes	DC
PDC-W215-DC-BE	No	Yes	Yes	DC
AMT-1021N-D25W1	No	No	No	DC

DIN Rail & Dove Tail

For accessory and device integration



DIN Rail



Side Din Rail

Battery

iPS-M420S LiFePO₄ Battery



AMiS_Link

