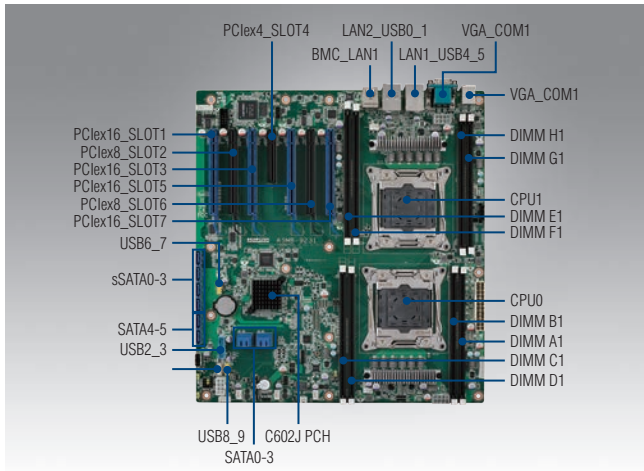


ASMB-923

Dual LGA 2011-R3 Intel® Xeon® E5-2600 v3/v4 EATX Server Board with 8 DDR4, 4 PCIe x16+ 2 PCIe x8, 4 USB 3.0, IPMI



Features

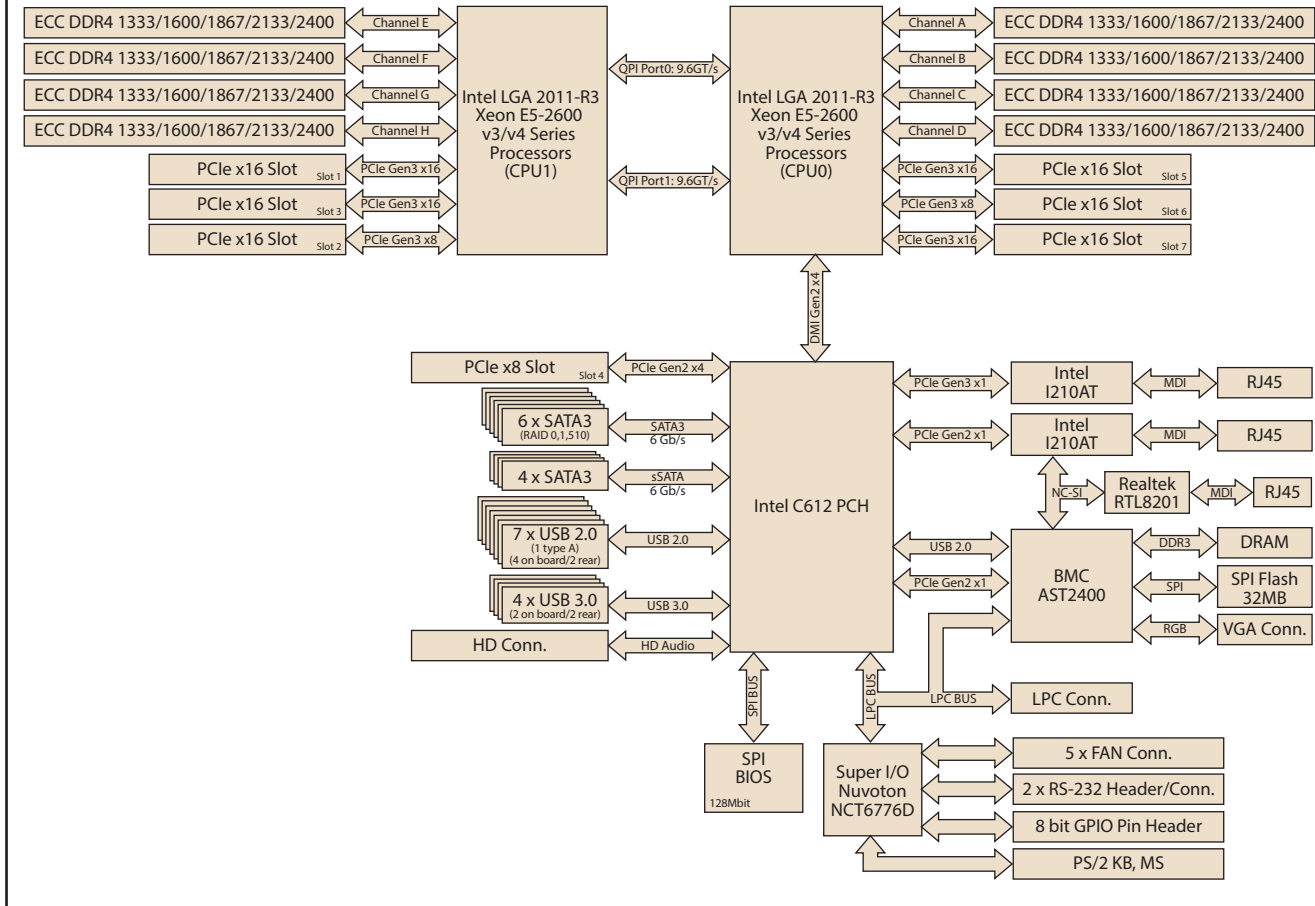
- EATX Server Board with dual Xeon® E5-2600 v3/v4 processor, 8 DIMMs 256 GB memory capacity
- DDR4 2400 MHz RDIMM up to 256 GB
- Four PCIe x16 slots (Gen3) + two PCIe x8 slots (Gen3.0) and one PCIe x4 (Gen2.0)
- 0 ~ 40 °C ambient operation temperature range



Specifications

Form Factor	Extended ATX form factor					
Processor System	Socket	Intel LGA 2011-R3				
	CPU type	Intel® Xeon® E5-2600 v3/v4 dual processor (CPU cooler should be purchased separately and TDP up to 160W) Intel® Xeon® E5-1600 v3/v4 Series (1S conditional support, please contact to Advantech application engineer)				
Core Logic	Chipset	Intel C612 chipset				
	Total slots	8 (Quad Channel)				
Memory	Capacity	Maximum 256 GB ECC RDIMM				
	Memory type	DDR4 ECC-REG 2400/2133/1866/1600/1333 MHz DIMM				
	Memory size	1 GB, 2 GB, 4 GB, 8 GB, 16 GB, 32 GB				
Expansion Slots	Total PCI/PCI-X/PCIe slots	7				
	Slot location 1	PCIe x16 slot (x16 link), signal from CPU1				
	Slot location 2	PCIe x16 slot (x8 link), signal from CPU1				
	Slot location 3	PCIe x16 slot (x16 link), signal from CPU1				
	Slot location 4	PCIe x8 slot (x4 link), signal from PCH				
	Slot location 5	PCIe x16 slot (x16 link), signal from CPU0				
	Slot location 6	PCIe x16 slot (x8 link), signal from CPU0				
Graphics	VGA	Aspeed AST2400/1400 64 MB				
	IDE controller	-				
Storage	SATA controller	Intel C610: 10 SATA3 6 Gb/s ports Intel Rapid Storage Technology (for Windows only) (SATA0-SATA5 and sSATA0-sSATA3 Supports software RAID 0, 1, 10 & 5)				
	SAS controller	-				
Networking	GbE LAN	2 x Intel I210AT				
Onboard I/O Connectors	Floppy connector	-				
	PSU connector	24-pin SSI power connector + 8-pin SSI 12 V power connector + 8-pin SSI 12 V power connector				
	USB connector	2 (supports 4 USB port), 1* Type-A , 1* USB3.0 20pin header (supports 2*USB 3.0 port)				
	Fan header	5 x 4-pin				
	SMBus	1				
	Chassis intruder	1				
	Front LAN LED	2				
	Audio Header	1				
Rear I/O Connectors	Serial port header	1				
	External serial port	1				
	External USB port	4 (2*USB2.0 + 2*USB3.0)				
	VGA port	1				
	RJ-45	3 (1 port dedicated for IPMI function)				
	PS/2 KB/mouse	1				
Management Solution	Infiniband	-				
	Software	-				
Monitoring	Out of band remote management	Yes (ASMB-923I sku only)				
	CPU temperature	Yes				
Watchdog Timer	System Monitoring	Yes				
	Output	System reset				
Power Requirement	Interval	Programmable 1 ~ 255 sec/min				
	Power On	3.3V	5V	12V	5Vsb	-12V
		1.69A	1.00A	17.42A	0.05A	0.01A
Environment	Operating				Non-operating	
	Temperature	0 ~ 40 °C, depends on CPU speed and cooler solution				
Physical Characteristics	Humidity	10% ~ 95%			-40 ~ 85 °C	
	Dimension (L x H)	304.8 x 330.2 mm (12" x 13")				
					10% ~ 95% (Non condensing)	

Block Diagram



Ordering Information

Part Number	Chipset	Memory	GbE LAN	IPMI	VGA Chip
ASMB-923-00A1E	C612	DDR4 RDIMM	2	-	AST 1400
ASMB-923I-00A1E	C612	DDR4 RDIMM	2	Yes	AST 2400

Packing List

Part Number	Description	Quantity
2066923I01	Driver CD	x 1
2066923I10	Startup manual	x 1
1700003194	SATA data cables	x 2
1703150102	SATA power cables	x 2
1700019748	CPU power cable(8P)	x 2
1960052312T010	I/O shield	x 1

Optional Accessories

Part Number	Description
PCA-AUDIO-HDA1E	HD Audio-card
PCA-TPM-00B1E	TPM 2.0 Module by LPC
1960057226N001	LGA-2011 square CPU heatsink for 1U chassis (95W)
1960055362N001	LGA-2011 square CPU cooler for 2U/4U chassis (145W)
1960065684N011	LGA-2011 square CPU cooler for 4U chassis (160W)
1700028025-01	Dual port USB cable (45 cm) with bracket
1700028042-01	Four port USB cable (45 cm) with bracket
1701090401	COM port cable with bracket
19Z0000406T000	1U chassis IO shield
968EMLSAP2	SUSIAccess Pro 3.0

I/O View



ASMB-923-00A1E



ASMB-923I-00A1E